



**WINCH MOUNT INSTALLATION INSTRUCTIONS**

KAWASAKI 750 Teryx 2008 – 2012

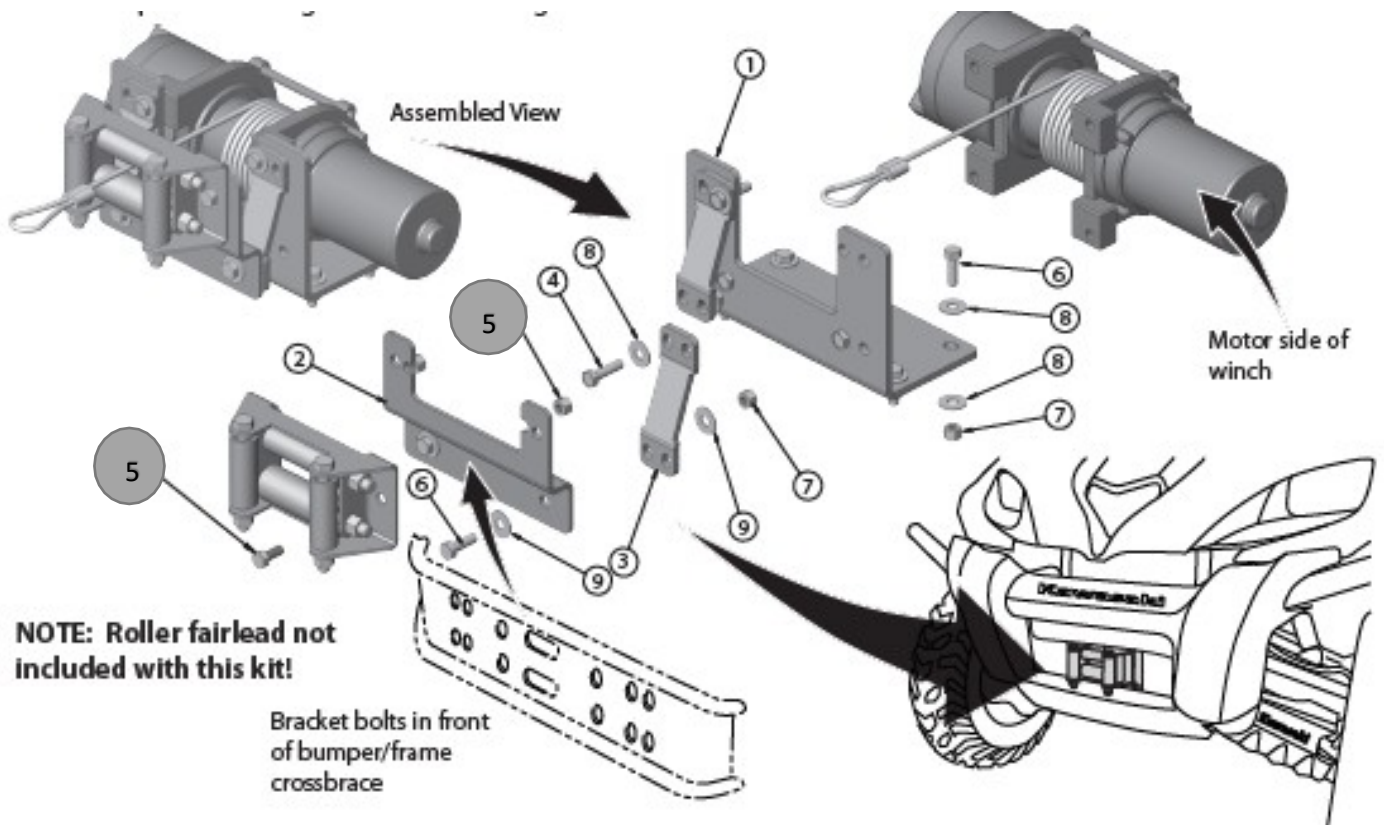
(For 2-Seater Models)

PART# 4505-0678

ITEM	QTY.	PART#	DESCRIPTION
1	1	1549-1	Main Winch Mount Plate
2	1	1549-2	Fairlead Mount Plate
3	2	1549-3	Angle Support Brackets
4	2	HDW1061	8mm x 30mm Hex Bolt
5	2	Fairlead Hrdw	Provided with Winch
6	6	HDW2051	5/16 x 1 Hex Bolt
7	6	HDW7058	5/16 Nylock Nut
8	14	HDW9002	5/16 Flat Washer

**NOTE:** Fairlead is not included with this winch mount kit

1. Remove the front bumper cover.
2. First slide winch inside front bumper to get it in location and rotate it on its side as shown. Cable should be coming off the top of drum. Slide the main winch mount plate into place with cutout forward and up.
3. Align the holes in the winch mount plate with the four outmost holes in the frame plate and bolt into place with the 5/16 x 1 hex bolts, washers (top and bottom) and nylock nuts.
4. Next align winch with the four holes in the front of the winch mount plate. Bolt the bottom portion of the winch with bolts provided with winch.
5. The two angled support brackets are designed to go between the front of the main winch mount plate and the back of the fairlead mount directly behind the bumper bracket. There are two holes in the top of each bracket, but you only use that to line up with your size winch. There are also two holes in the bottom of each bracket, but you only use the inner most holes to mount to the frame/bumper crossbrace.
6. Loosely bolt the top of each bracket through the winch mount plate and into the upper winch holes that line up with your winch using two 8mm x 30mm bolts and two 5/16 washers.
7. The fairlead mount can now be placed in front of the crossbrace and angled support brackets. Bolt together using four 5/16 washers and two 8mm nylock nuts. Tighten the top bolts as well.
8. Reattach the bumper cover using the stock hardware.
9. Attach fairlead with hardware provided with winch and wire according to their instructions.



**FOR QUESTIONS OR COMMENTS PLEASE CALL: 320-964-1616 (7:00 to 4:30 CST Monday through Thursday).**

INST1549PF-1



## WINCH MOUNT INSTALLATION INSTRUCTIONS

KAWASAKI 750 Teryx 2008 – 2012

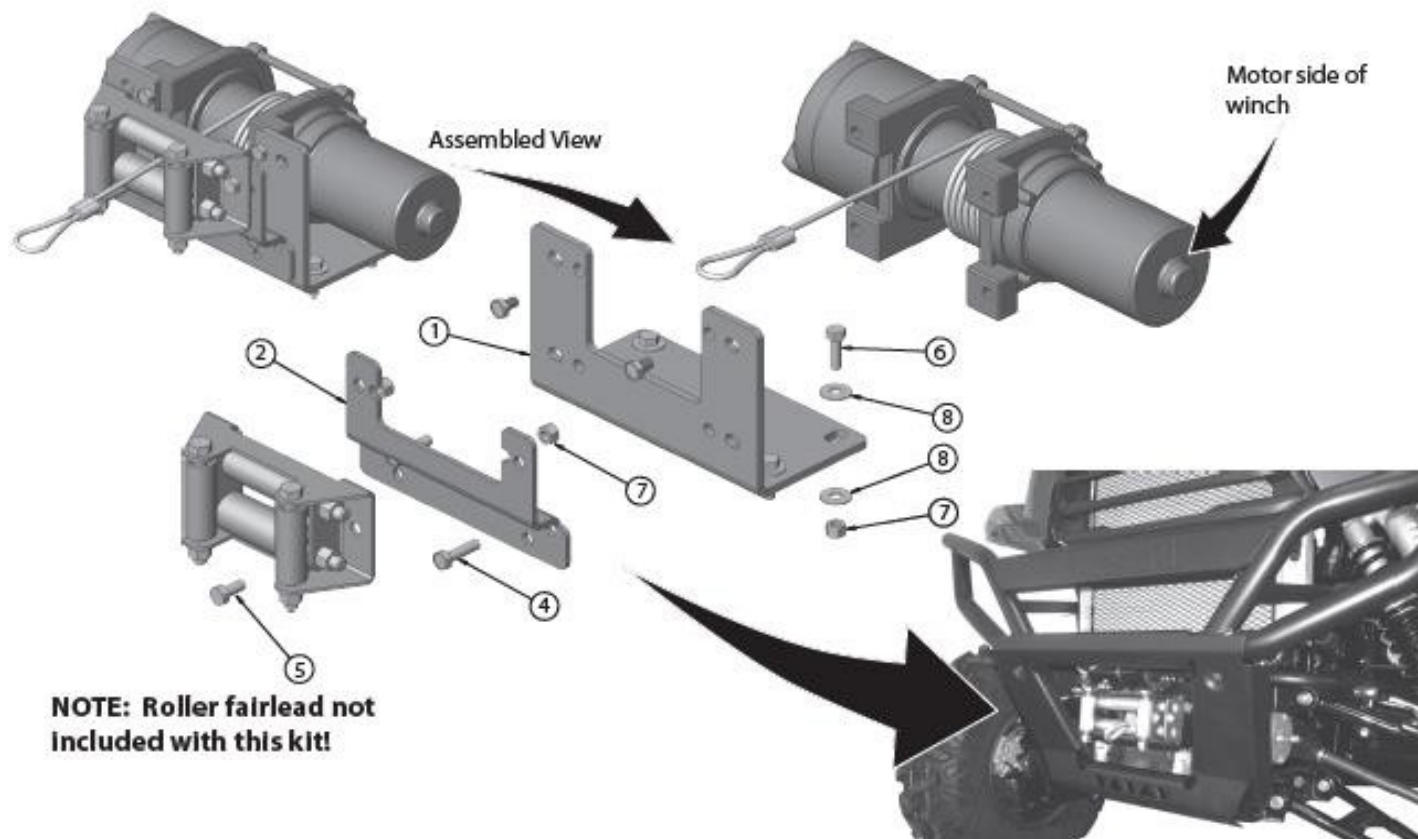
(For 4-seater models)

PAGE 2

PART# 4505-0678

**NOTE:** Fairlead is not included with this winch mount kit.

1. Remove the front bumper cover.
2. First slide winch inside front bumper to get it in location and rotate it on its side as shown. Cable should be coming off the top of drum. Slide the main winch mount plate into place with cutout forward and up.
3. Align the holes in the winch mount plate with the four outmost holes in the frame plate. Bolt into place with the 5/16 x 1 hex bolts, washers (top and bottom) and nylock nuts.
4. Next align winch with the four holes in the front of the winch mount plate. Bolt the bottom portion of the winch with bolts provided with winch.
5. The winch can now be aligned with four holes that align with your winch in the front of the plate. Attach with hardware provided from winch manufacturer (only in the top holes).
6. The fairlead plate will bolt to the front of the main winch mount plate using the two 8mm x 30mm bolts going through the fairlead plate, winch mount plate and into the winch. You will not use the lower two holes in the fairlead plate.
7. Mount the fairlead to fairlead plate with hardware provided by winch manufacturer and wire to their instructions.
8. Reattach the bumper cover using original hardware.



FOR QUESTIONS OR COMMENTS PLEASE CALL: 320-964-1616 (7:00 to 4:30 CST Monday through Thursday).

INST1549PF-2