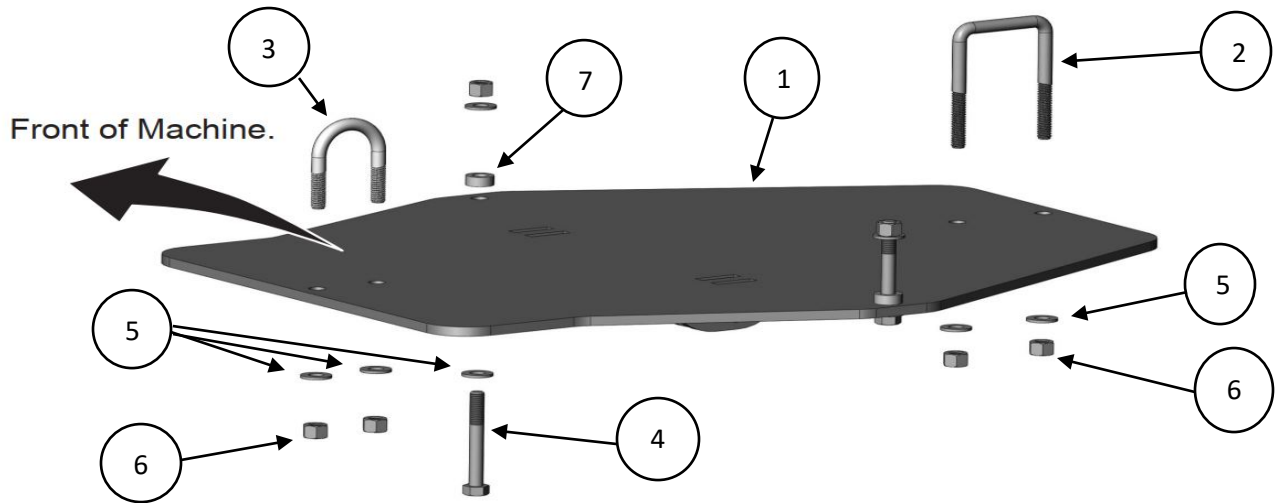




**PLOW MOUNT INSTRUCTIONS**  
**13-15 CAN-AM MAVERICK**  
**2016 CAN-AM MAVERICK 1000 TURBO**  
**PART# 4501-0646**

ITEM	PART#	QTY.	DESCRIPTION
1	2803-100	1	Bottom Plow Mount Weldment
2	HDW2406	1	5/16 x 2 x 3 Sq. U-Bolt
3	HDW2154	1	5/16 x 1-1/4 x 2 Rd. U-Bolt
4	HDW9035	2	5/16 x 2-1/2 Hex Bolt
5	HDW9002	8	5/16 Flat Washer
6	HDW7058	6	5/16 Nylock Nut
7	HDW9427	2	1" round x 1/4" Thick Spacer



## BOTTOM MOUNT INSTALLATION INSTRUCTIONS

1. Remove the front plastic skidplate from underneath the machine.
2. Hang the front round u-bolt (#28) over the horizontal round frame member between the triangular supports. This will be located underneath the steering rack assembly. See illustration.
3. Hang the rear square u-bolt (#26) over the main rectangular frame rail. It will be located right in the middle in between the two triangular supports. See illustration.
4. Hang the bottom mount on the two u-bolts and loosely secure in place using the provided flat washers and nylock nuts.
5. The two side holes in the plate will line up with some holes in the frame. Slide a 1/4" spacer between the bottom mount and frame on each side. Install a 5/16" x 2-1/2" bolt (#30) with flat washer (#27) up through the mount, spacer, and frame. Loosely secure on the top with a 5/16" nylock nut (#19).
6. Once the mount is aligned, tighten all the nuts and bolts.
7. Using a cut off wheel or reciprocating saw you can cut of any excess threads hanging down from the u-bolts.
8. Slide the blade/push tube assembly under the ATV. Lift the rear of the assembly up and align the holes in the bottom mount tabs and push tube and install the wire loop pins (#25).

**NOTE:** If you would like to continue using the factory skidplate, mark the hole positions for the bolts and u-bolts to drop down through and drill them out with a 3/8" drill bit. Reinstall the factory skidplate with the u-bolts hanging down though it. Now install the plow mount over the skidplate using the 5/16" flat washers and 5/16" nylock nuts.

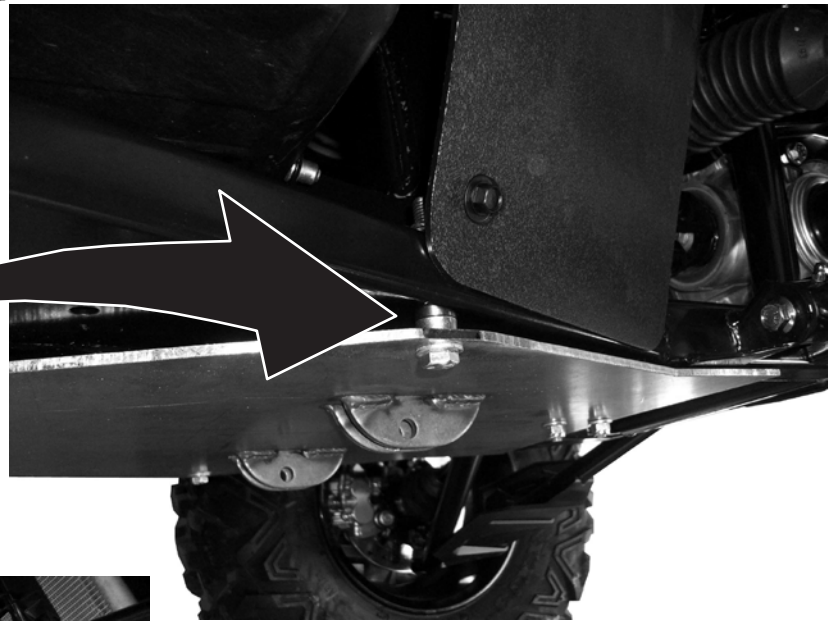
# BOTTOM MOUNT INSTALLATION INSTRUCTIONS



U-bolt and hex bolt mounting positions.

Front of machine.

Install spacers between the bottom mount and frame.

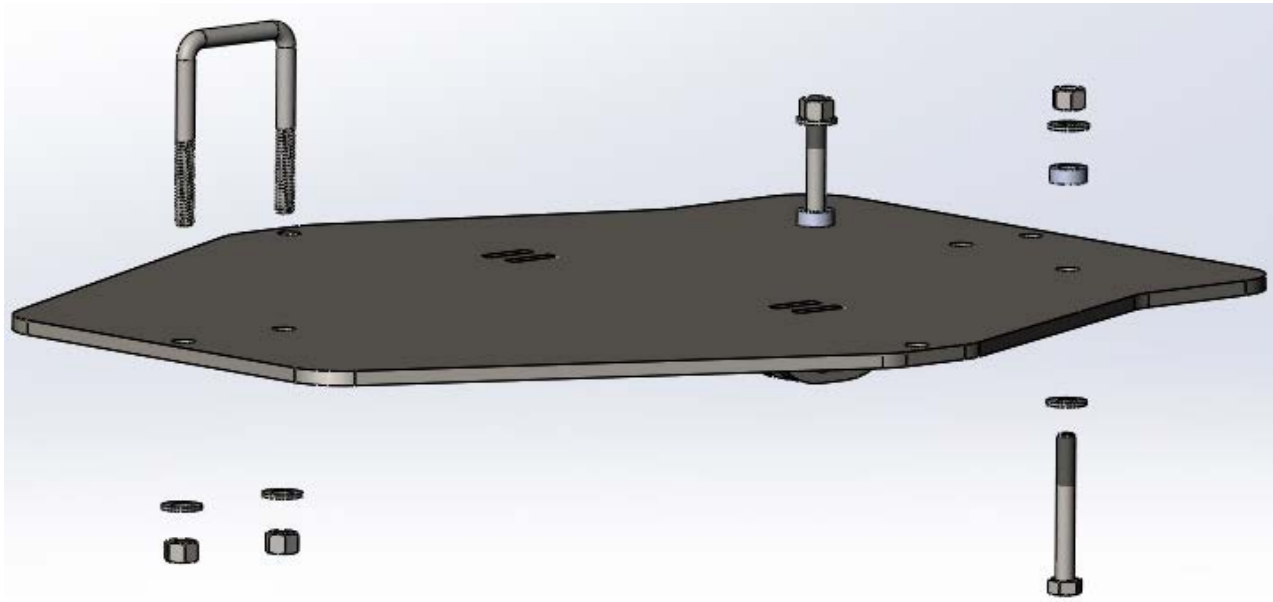


Correctly installed.



## BOTTOM MOUNT INSTALLATION INSTRUCTIONS

### CAN-AM MAVERICK & MAVERICK TURBO 15-16



On the newer Mavericks you will not use the front u-bolt to secure it to the frame. You will also not secure the mount using the outside holes.

As shown in the drawing and the picture you will still use the 5/16 x 2 x 3 Square u-bolt around the frame tube on the back portion of the mount. The front will now use the 5/16 x 2-1/2 hex bolts, 1/4 spacers, washers and nylock nuts on the closer holes as shown with the 1/4 spacer going between the frame and the mount plate.

