

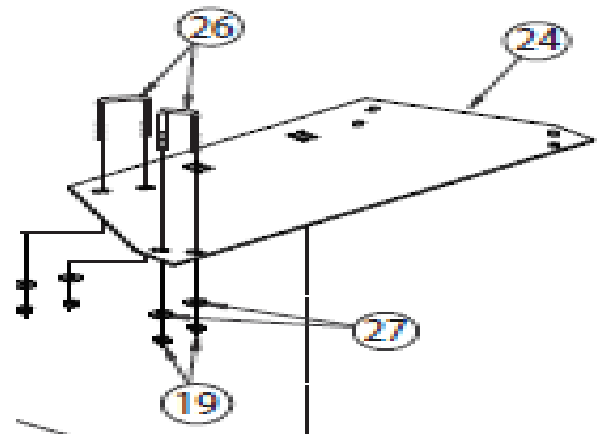


ITEM	PART#	QTY.	DESCRIPTION
24	2764-1	1	Bottom Mount Plate
19	HDW7058	8	5/16 Nylock Nut
26	HDW2073	4	5/16 x 1-1/2 x 3-1/2 U-Bolt
27	HDW9002	8	5/16 Flat Washer

BOTTOM MOUNT

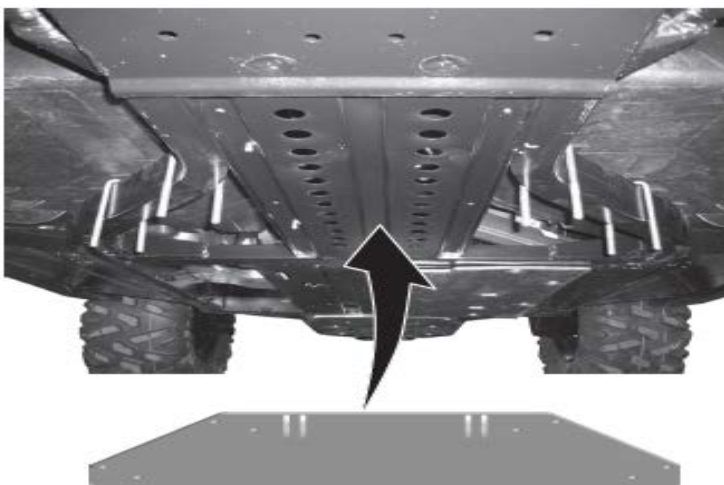
PART# 4501-0635

11-14 Can-Am Commander 800/1000



BOTTOM MOUNT INSTALLATION INSTRUCTIONS

1. Remove the center L-shaped portion of the plastic skidplate. Locate the metal lip on the bottom of the frame that the front of the skidplate fits into. Measure back from this lip approximately 7 3/8" and put a mark on each main frame tube. This is where the front edge of the plow mount will be located.
2. Hang the four u-bolts over the frame tubes in their approximate locations according to the photos below. You may need to carefully push up on the plastic floor with a prybar to get the u-bolts over the frame tubes. Hold the plow mount up in place with all four u-bolts through the plow mount. The narrower part of the plow mount is the front. The front of the plow mount should be near the line you drew at 7 3/8" back from the metal lip.
3. Now decide whether you want to drill through the plastic skidplate and install the mount on top of it or remove it and just install the plow mount to the frame. If you will not be using the factory skidplate, simply finish installing the mount using the 5/16" flat washers and 5/16" nylock nuts.
4. If using a factory skidplate, mark the hole positions for the u-bolts to drop down through and drill them out with a 3/8" drill bit. Reinstall the factory skidplate with the u-bolts hanging down through it. Now install the plow mount over the skidplate using the 5/16" flat washers and 5/16" nylock nuts.
5. Using a cut off wheel or reciprocating saw, you can cut off any excess threads hanging down from the u-bolts.
6. Slide the blade/push tube assembly under the ATV. Lift the rear of the assembly up and align the holes in the bottom mount tabs and push tube and install the wire loop pins.



The front of the plow mount will end up approximately 7 3/8" back from this lip.