



PLOW MOUNT INSTALLATION INSTRUCTIONS

YAMAHA

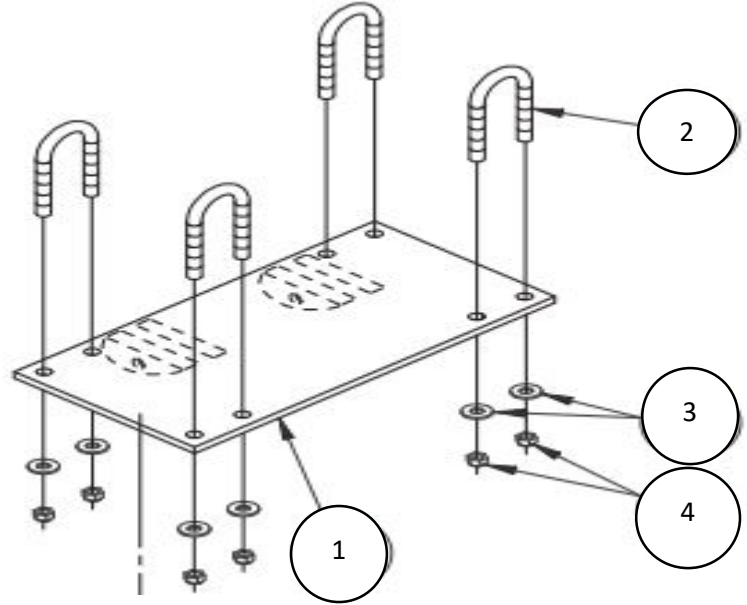
06-13 450/660/700 Rhino

KAWASAKI

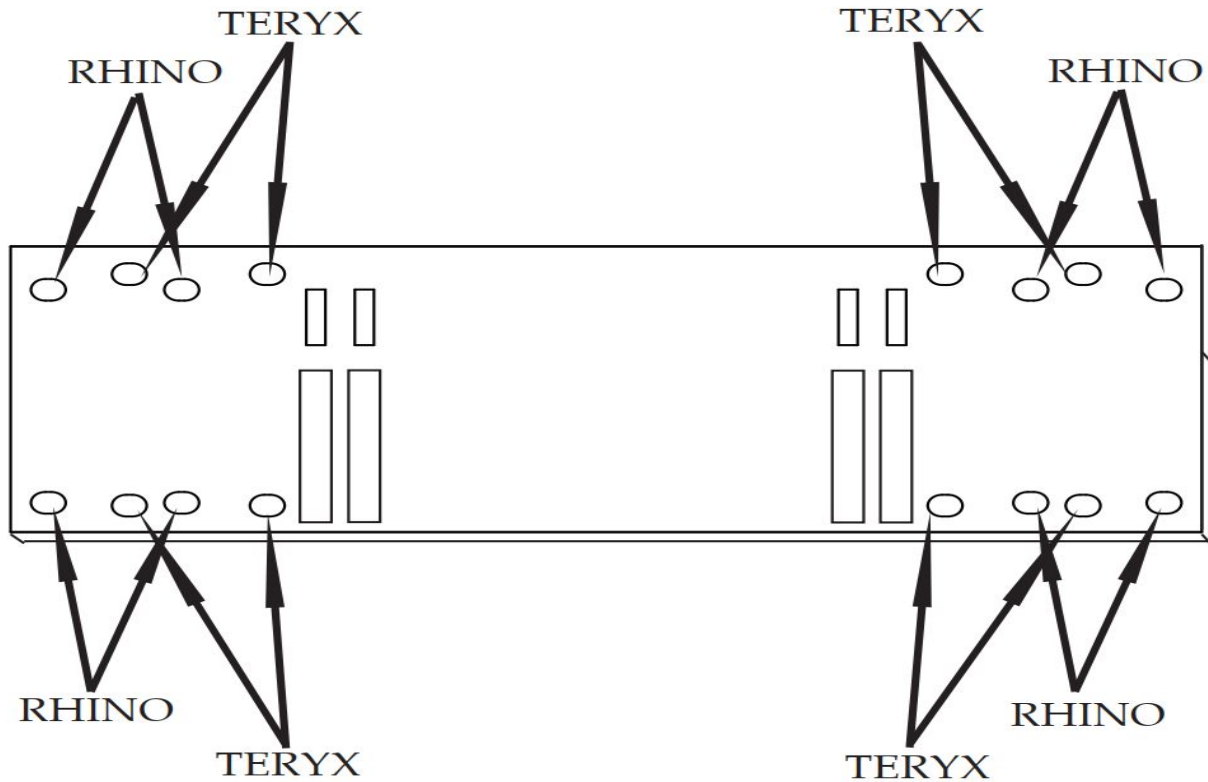
08-14 Teryx 750 and Teryx 4

ITEM	PART#	QTY.	DESCRIPTION
1	2760-70	1	Plow Mount Weldment
2	HDW2073	4	5/16 x 1-1/2 x 3-1/2 Sq. U-Bolt
3	HDW9002	8	5/16 Flat Washer
4	HDW7058	8	5/16 Nylock Nut

PART# 4501-0634



BOTTOM MOUNT HOLE LOCATION DIAGRAM



KAWASAKI TERYX 800 4 Seater



On some of the new model Kawasaki Teryx's you will need to loosen up the floor boards on the drivers side. Shown in the picture are the two screw you will need to loosen so you can pry up on the bottom side to get the u-bolts up and over the frame, once completed retighten the floor board screw down.



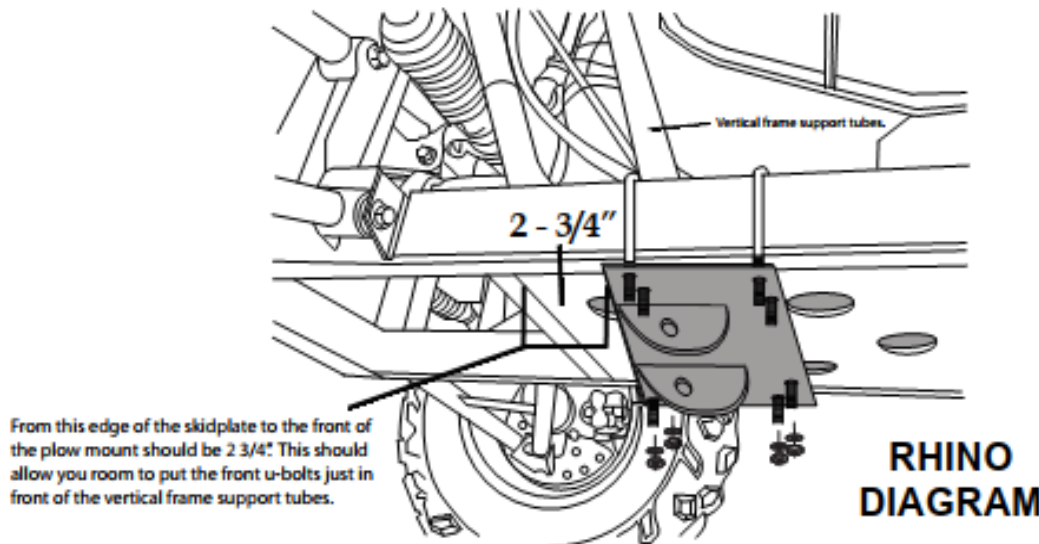
Picture of mount on 2014 and newer tyrex. There is a brake line on the tight side you will need to snap out of the plastic guide and make sure u-bolt is between frame and brake line. Protect brake line so it does not rub hard on u-bolt.



NOTE: On some of the newer Tyrex's the mount plate will need to go as shown centering over the angle frame brace.

RHINO BOTTOM MOUNT INSTALLATION INSTRUCTIONS

1. Measure 2 - 3/4" back from the front of the skidplate as illustrated (not raised part of skidplate) and mark the skidplate. Hold the front edge of the plow mount (with the ears to the front) up to this line and mark the 4 outer-most holes for drilling. Drill the 4 holes with a 3/8" drill bit.
2. Place the front u-bolts around the frame just in front of the vertical support tubes per illustration. Put on the back two u-bolts through your drilled holes. You can now slide bottom mount into place on the u-bolts.
3. Bolt into place with the supplied 5/16" washers and nylock nuts.
4. Slide the blade/push tube assembly under the ATV. Lift the rear of the assembly up and align the holes in the bottom mount tabs and the push tube and install the wire loop pins included with push tube kit.



TERYX BOTTOM MOUNT INSTALLATION INSTRUCTIONS

1. Remove front skidplate. Place the four u-bolts over the main frame rails per illustration.
2. Put the bottom mount in place through the u-bolts and position so the backside of the mount is flush with the center crossmember and skidplate. Bolt into place with supplied washers and nuts.
4. Slide the blade/push tube assembly under the ATV. Lift the rear of the assembly up and align the holes in the bottom mount tabs and the push tube and install the wire loop pins included with push tube kit.

