



12-13 JOHN DEERE RSX 850i / XUV 550

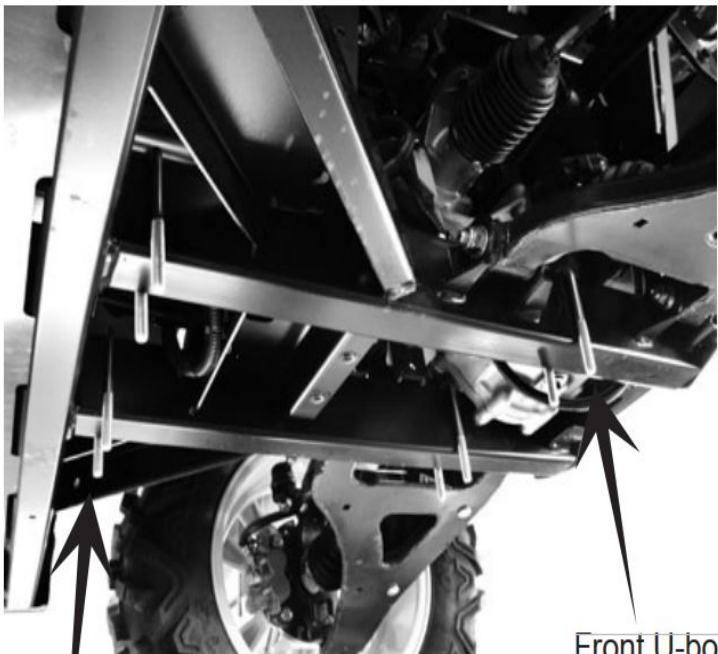
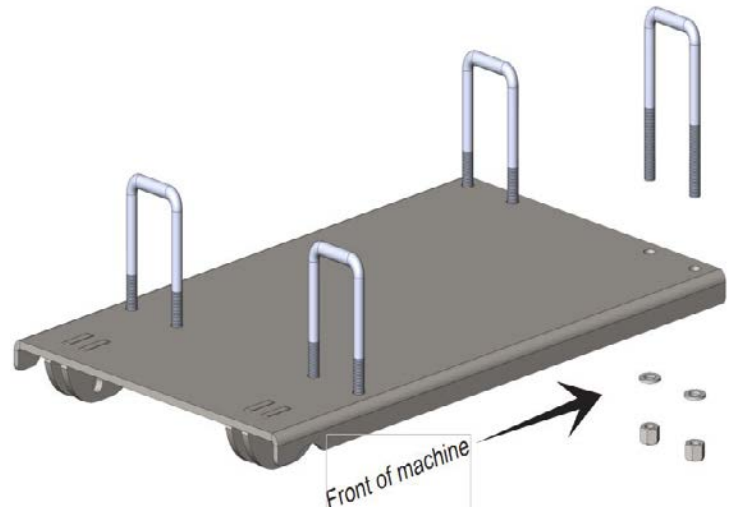
PART# 4501-0633

Remove the long narrow skid plate beneath the Front differential. You will not need to remove the large main Skid Plate. Place the front U-bolt over the frame tubes between the front a-arms as shown. (About 1" in front of the rear arm mount) The back two U-bolt should be placed about 1" in front of the horizontal frame member as shown.

Place the plow mount up onto the U-bolts and use the Washers and nylock nuts to secure. Align and tighten.

Push tube will pin up to plow mount tabs with wire loop pins that came with the push tube kit.

ITEM	PART#	QTY.	DESCRIPTION
1	2759-100	1	Plow Mount Weldment
2	HDW2073	4	5/16 x 1-1/2 x 3-1/2 Sq. U-Bolt
3	HDW9002	8	5/16 Flat Washer
4	HDW7058	8	5/16 Nylock Nut



Rear U-bolt placement

Front U-bolt placement

Front of machine



Mount tabs will be on top of the horizontal frame tube.