



YAMAHA GRIZZLY PLOW MOUNT
09-15 550 Grizzly – 02-08 660 Grizzly
07-19 700 Grizzly – 16-17 700 Kodiak
PART# 4501-0623

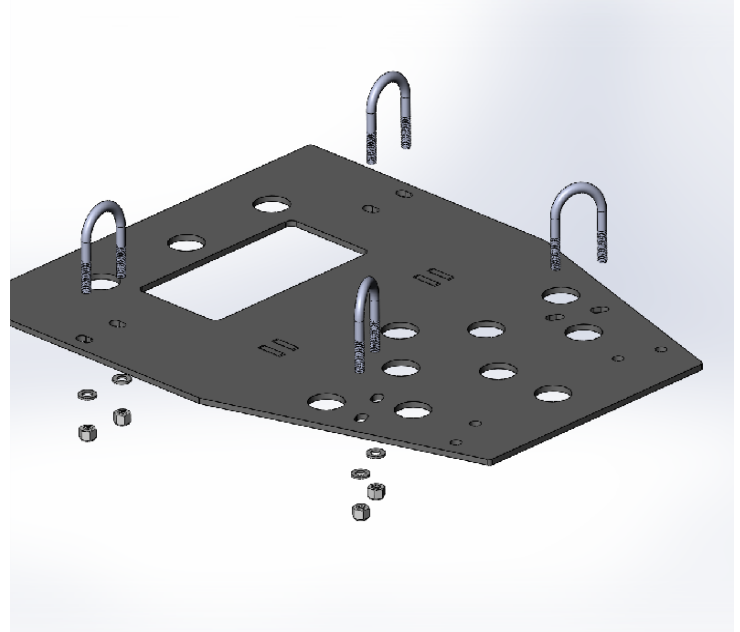
Customer must receive a copy of the installation instruction at time of purchase.

Mounting on this page is for the 2016 model Grizzly and Kodiak.

Remove plastic skid plate and place u-bolts over frame Tubes and attach mount with the washer and nylock nuts as per the lower pictures shows. You can mount over the skid plate if you align the two and drill the holes through the plastic plate. NOTE on the 2016 model you will use the back set of holes in the mount for the front u-bolts as shown in top image. The front set of holes is for the older model Grizzly's

WARRANTY NOTE: Hitting hard and frozen objects will not be covered under warranty. Never exceed 5 MPH while plowing. Make sure all bolt are tighten securely before plowing and check frequently. Warranty is a one year manufacturer defect warranty only.

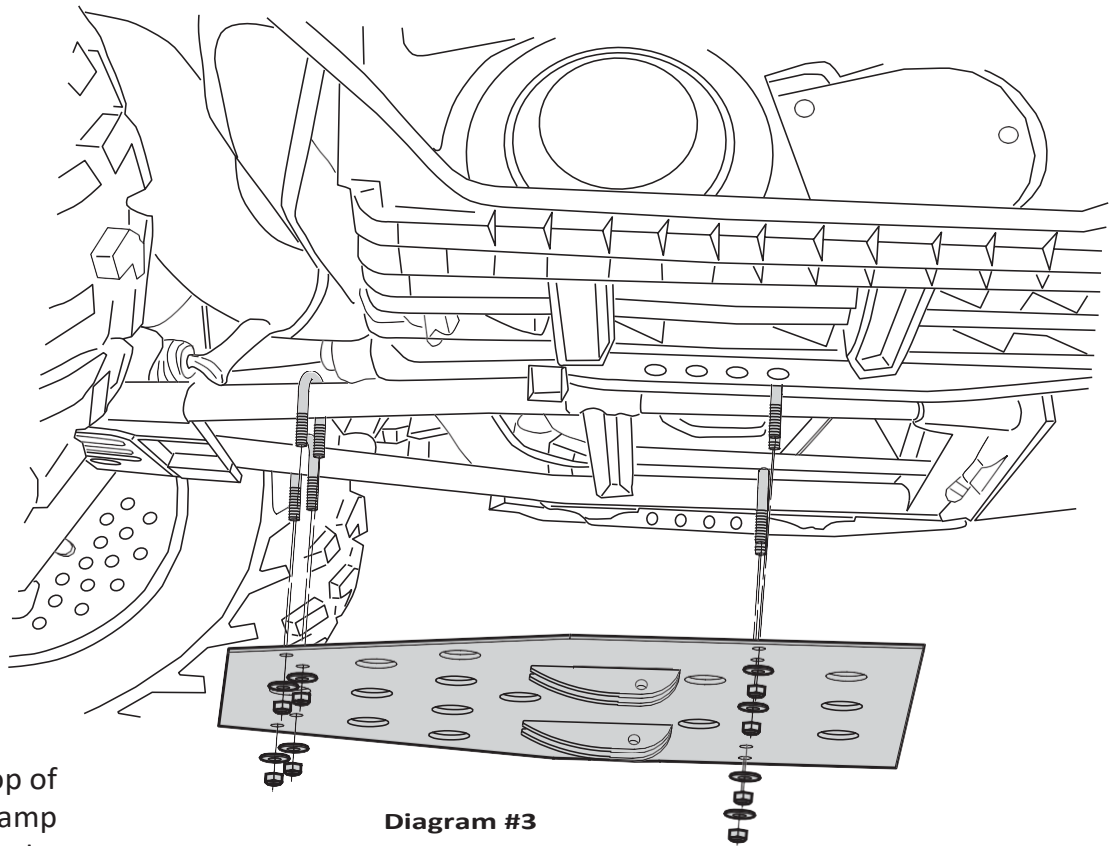
Quantity	Part#	Description
1	2783-100	Plow Mount
4	HDW2063	5/16 x 1-1/4 x 2-1/4 U-Bolt
8	HDW9002	5/16 Flat Washer
8	HDW7058	5/16 Nylock Nut
4	HDW1083	6mm x 16mm Hex Bolt
4	HDW9012	1/4 Flat Washer
1	Inst2783	Instruction Sheet



BOTTOM MOUNT INSTALLATION INSTRUCTIONS

Plow mount instruction for the 2002-2008 Grizzly 660 and 2007-2018 Grizzly 550/700 Plow Mount

- 1. For 07-18 Grizzly 700:** The stock skidplate has two mounts for the plastic inner fender pieces that the plow mount does not have. For this reason you can choose to either drill through the stock skidplate and mount the plow mount over it or remove the skidplate and simply zip tie the inner fender pieces to the frame.
- 2.** Remove the bottom skid plate and retain bolts (if you will be reinstalling it). Either set it aside and go to step 3, or place the plow mount on top of the skidplate lining up the back edges on a table (see diagram). Mark the holes in the stock plastic skidplate and drill using a 3/8" bit. Install the u-bolts over the frame tubes per the illustration and reinstall the skidplate with the u-bolts through it. Slide the bottom mount in place over the u-bolts and skidplate and bolt in place with the flat washers and nuts. Skip to step 6.
- 3. For Grizzly 660:** Install 2 u-bolts in front of the rear floorboard support and hang the bottom mount (or skidplate and bottom mount) from these u-bolts by installing 4 flat washers and nuts .
- 4.** Install the 2 remaining u-bolts over the frame tubes and through the front holes in the bottom mount as indicated in Diagram #3 with the remaining washers and nuts and tighten all of them firmly.
- 5.** Re-attach the front and rear skid plate (if removed) using the provided 6mm x 16mm bolts and washers (not shown). Zip tie the inner fender pieces to the frame if you did not use the stock center skidplate.
- 6.** Slide the blade/push tube assembly under the ATV. Lift the rear of the assembly up and align the holes in the bottom mount tabs and push tube and install the wire loop pins .



Place the bottom mount on top of the skidplate and drill the u-clamp holes making sure the bottom edges are aligned.