



ITEM	PART#	QTY.	DESCRIPTION
1	2781-70	1	Plow Mount Plate
2	HDW2154	4	5/16 x 1-1/4 x 2 Rd. U-Bolt
3	HDW9002	8	5/16 Flat Washer
4	HDW7058	8	5/16 Nylock Nut

### MOOSE PLOW MOUNT INSTRUCTIONS

PART# 4501-0622

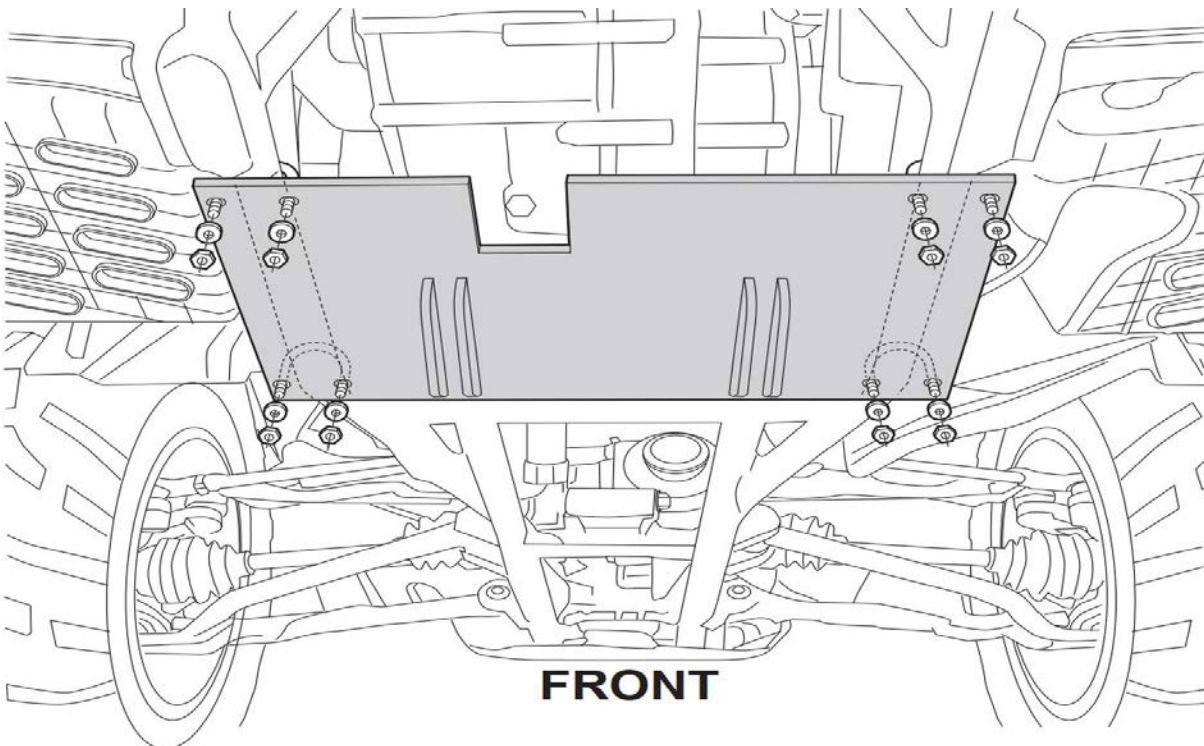
07-10 King Quad 450 / 09-17 King Quad 500

05-07 King Quad 700 / 08-17 King Quad 750

Remove the skid plate. Keep the bolts to re-install during plowing off season.

Place U-bolts up over frame tube as illustrated. Hold the bottom mount up in place and secure using the washers and nylock nuts. Align and tighten

Push tube will connect to tabs on bottom with wire loop pins in the push tube box.



**FOR QUESTIONS OR COMMENTS PLEASE CALL: 320-964-1616 (7:00 to 4:30 CST Monday through Thursday).**

INST2781PF