



ITEM	QTY.	PART#	DESCRIPTION
1	1	2749-70	Plow Mount Plate
2	4	HDW2155	5/16 x 1-1/8 x 2-1/4 Rd. U-bolt
3	8	HDW7058	5/16 Nylock Nut
4	8	HDW9002	5/16 Flat Washer

**PLOW MOUNT INSTALLATION INSTRUCTIONS**

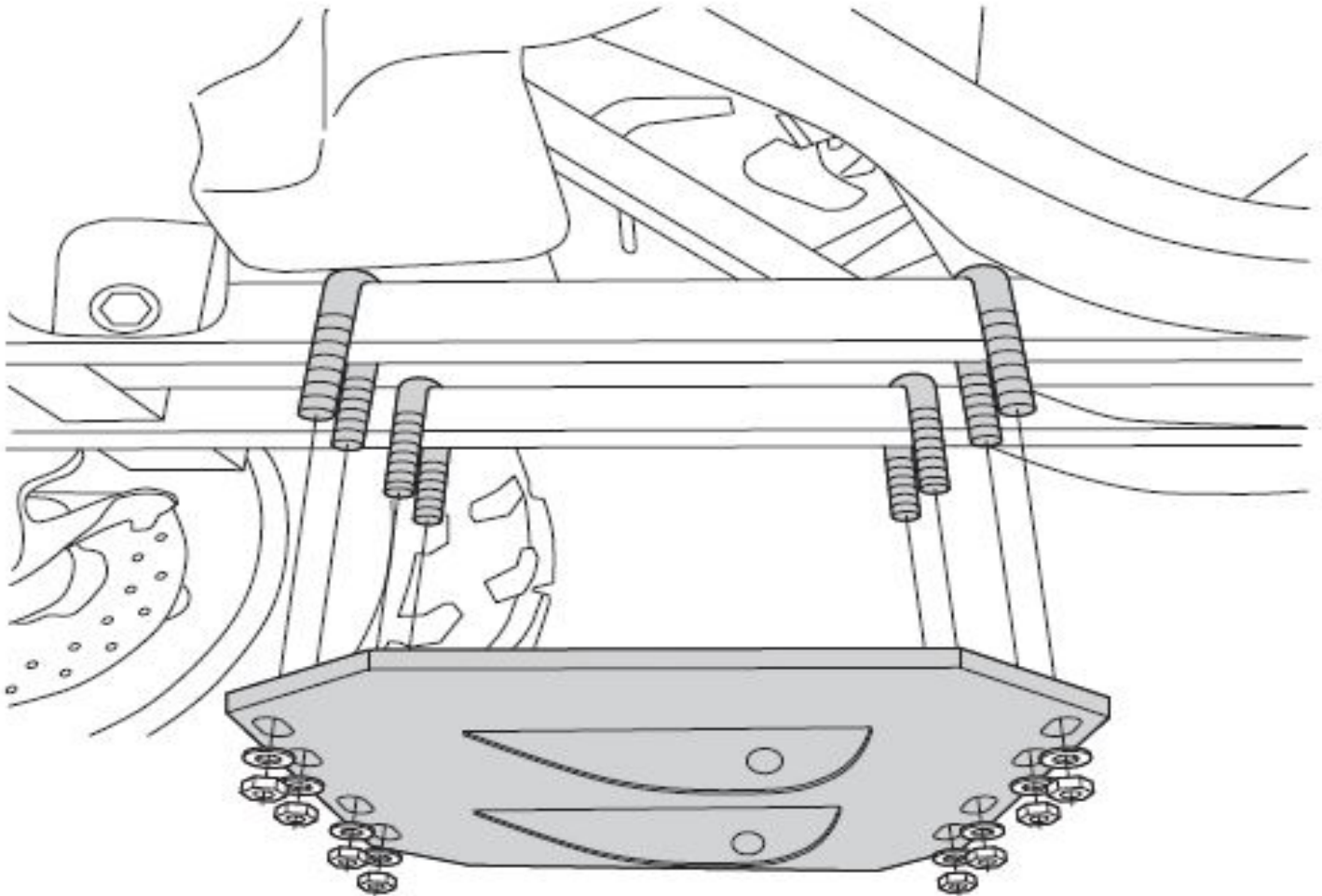
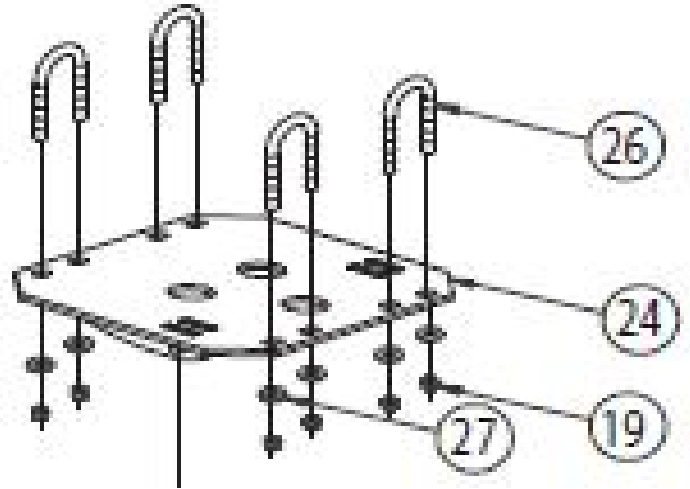
06 Polaris Hawkeye 300 / 08-10 Sportsman 300/400

**PART# 4501-0614**

Hang U-bolts over frame tubes as illustrated.

Install the plow mount up onto the U-bolts and secure with the washers and nylock nuts.

The push tube will mount to the tabs on the bottom with pins supplied with push tube.



**FOR QUESTIONS OR COMMENTS PLEASE CALL: 320-964-1616 (7:00 to 4:30 CST Monday through Thursday).**

INST2749PF