



PLOW MOUNT INSTALLATION INSTRUCTIONS

POLARIS

11-14 Sportsman 800 / 2014 Sportsman 570

05-13 Sportsman 500 / 2006 Sportsman 500

2005 Sportsman 400 / 11-14 Sportsman 400

06-07 Sportsman 450

PART# 4501-0613

ITEM	PART#	QTY.	DESCRIPTION
1	2748-70	1	Bottom Mount Weldment
2	HDW2155	4	5/16 x 1-1/8 x 2-1/4 Sq. U-Bolt
3	HDW2050	4	5/16 x 3/4 Hex Bolt
4	HDW7058	12	5/16 Nylock Nut
5	HDW9002	8	5/16 Flat Washer

Remove the plastic floorboards and place the u-bolts over the floorboard support tubes next to where they are welded to the main frame tube on the right of the machine and shown in drawing. NOTE: Right and Left are as you sit on machine.

Install the 5/16 x 3/4 Hex bolt in the center hole on each corner of the mount, this bolt acts as a spacer and stops mount from bowing, secure with nylock nut on the bottom side.

Make sure tabs are toward the front of machine. Attach plow mount to u-bolts on the right and then swing up and mount the left side up, use the 5/16 flat washers and nylock nuts to secure in place. Align and tighten

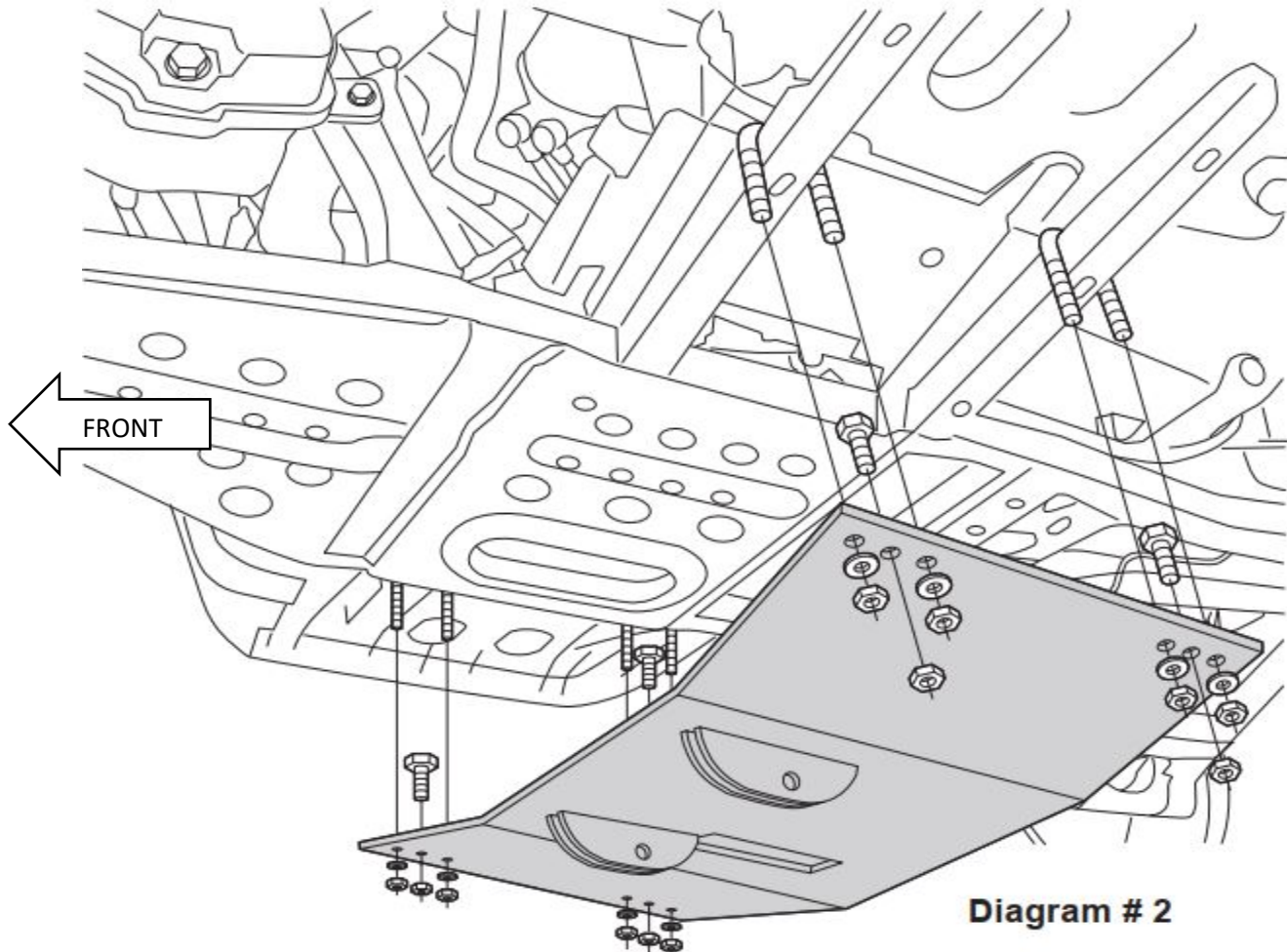


Diagram # 2