



PLOW MOUNT INSTALLATION INSTRUCTIONS
13-14 KYMCO MXU 500/700

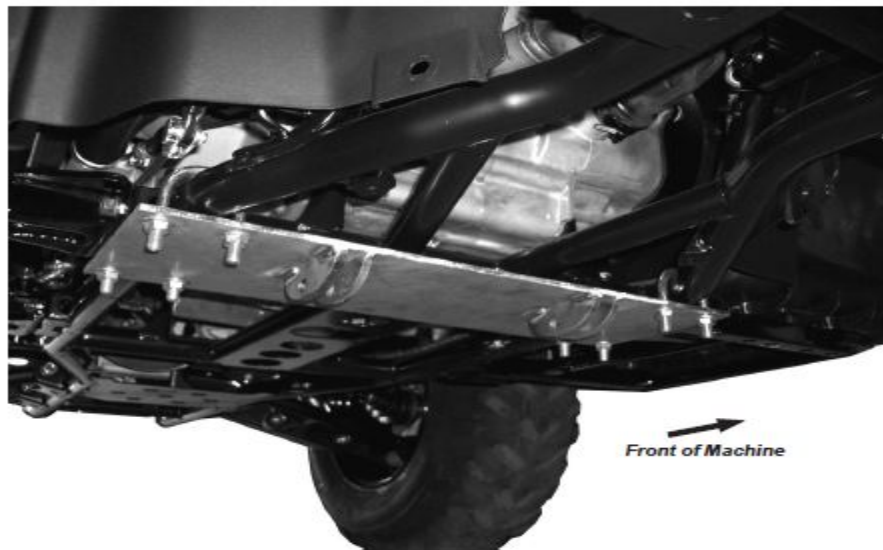
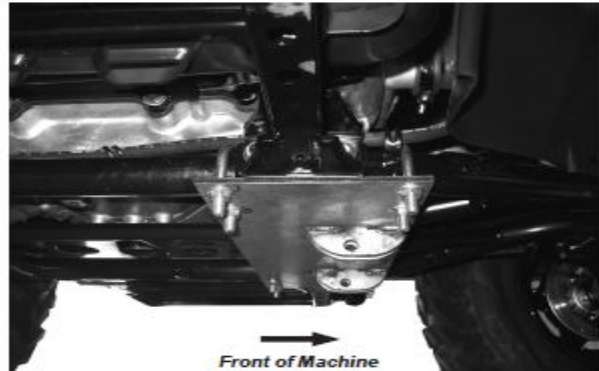
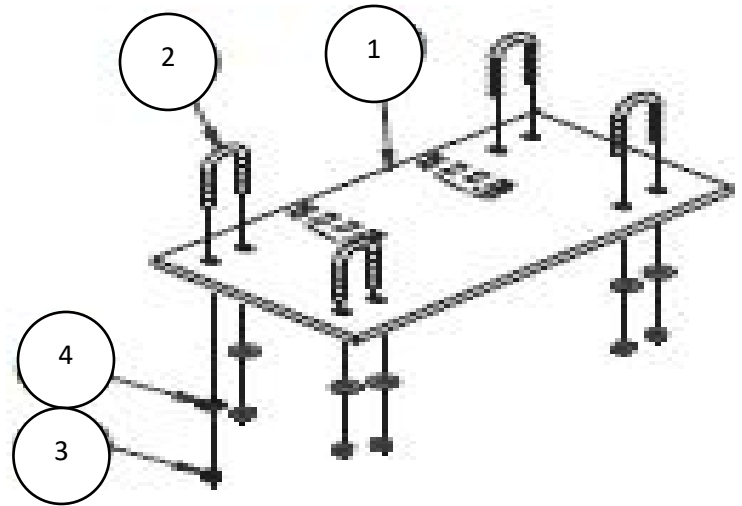
PART# 4501-0604

Remove skid plate and hang the U-bolts over the frame tubes on each side of the floorboard support. See illustration. (If leaving skid plate on, you must mark the skid plate and drill holes for U-bolts.)

Install the mount plate up onto U-bolts with the tabs toward the front of machine. Place flat washers and nuts on and secure.

The push tubes will mount to the tabs on the bottom with pins supplied with push tube.

ITEM	QTY.	PART#	DESCRIPTION
1	1	2736-100	Plow Mount Plate
2	4	HDW2158	5/16 x 1-3/8 x 2-3/16 Rd. U-bolt
3	8	HDW7058	5/16 Nylock Nut
4	8	HDW9002	5/16 Flat Washer



FOR QUESTIONS OR COMMENTS PLEASE CALL: (320) 964-1616 (7:00 to 4:30 CST, Monday through Thursday).

INST2736PF