



KYMCO MXU 500 / CF MOTO X5, X6
PART# 4501-0602

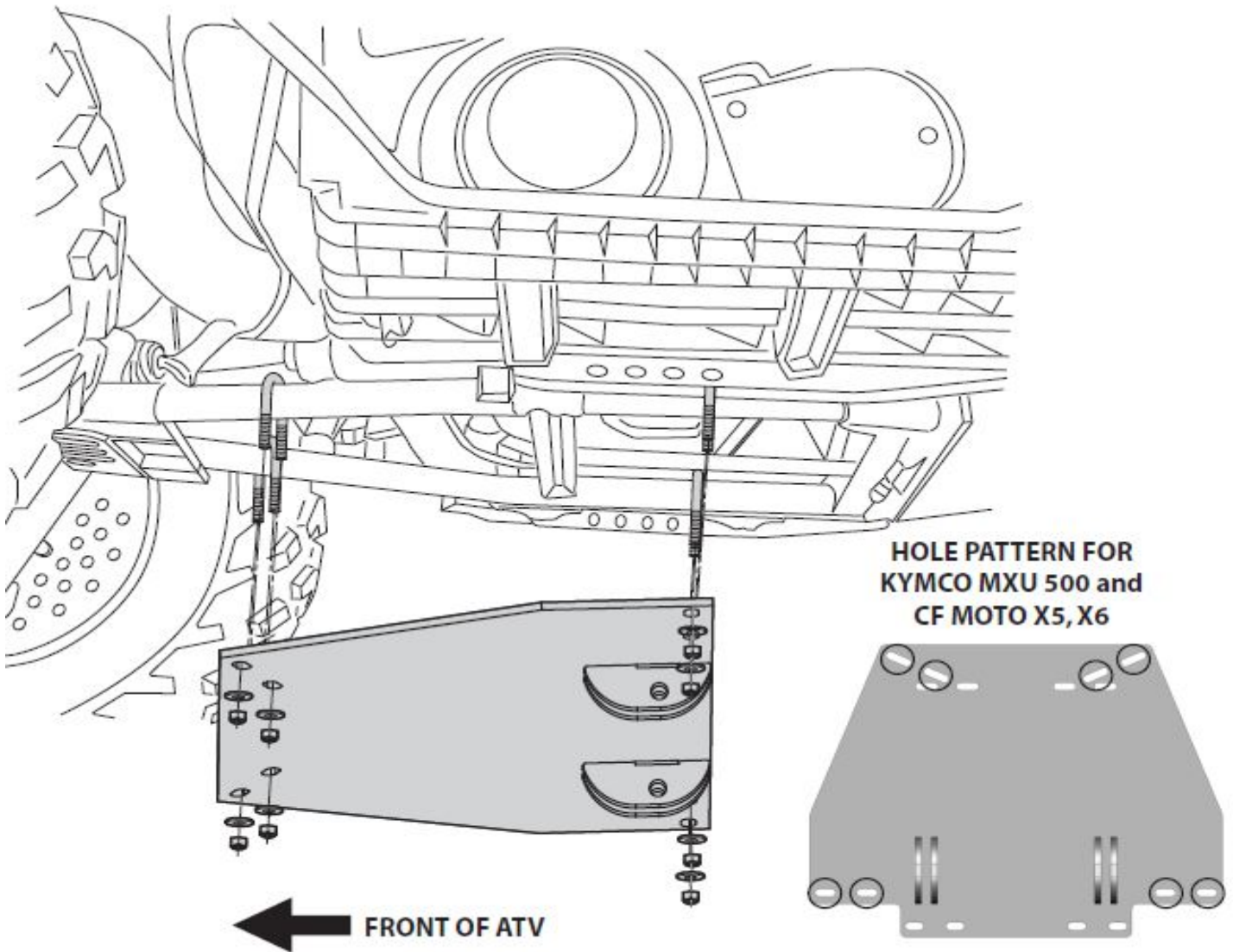
ITEM	QTY.	PART#	DESCRIPTION
1	1	2732-1	Plow Mount Plate
2	4	HDW2158	5/16 x 1-3/8 x 2-3/16 Rd. U-Bolt
3	8	HDW7058	5/16 Nylock Nut
4	8	HDW9002	5/16 Flat Washer

PLOW MOUNT INSTALLATION INSTRUCTIONS

Remove the bottom skid plate.

Install the U-bolts in front of the rear floorboard support and place the plow mount up over the U-bolts. Secure with the 5/16" washers and nylock nuts.

The push tube will attach to the mount tabs on the bottom mount with hardware provided with push tube.



**HOLE PATTERN FOR
KYMCO MXU 500 and
CF MOTO X5, X6**

FOR QUESTIONS OR COMMENTS PLEASE CALL: 320-964-1616 (7:00 to 4:30 CST Monday through Thursday).



KYMCO MXU 500 / CF MOTO X5, X6

PART# 4501-0602

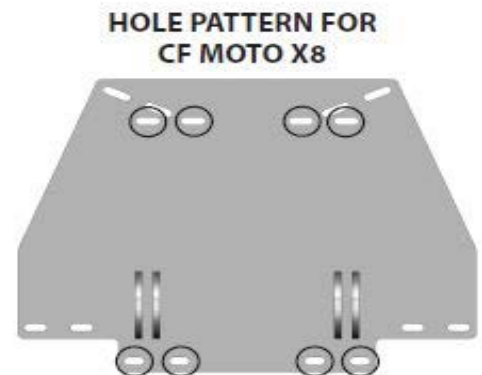
PLOW MOUNT INSTALLATION INSTRUCTIONS

Remove the bottom skid plate. You can mark and drill the skid plate if you desire to leave it on.

Install two of the U-bolts over the frame tubes just behind the a-arm mounts. Next attach the front portion of the mount to the U-bolts with the washers and nylock nuts. Leave loose.

Place the remaining two U-bolts over the frame tubes and through the rearmost holes in the plow mount plate. Secure with the remaining washers and nylock nuts (make sure mount is slid forward) and tighten.

The push tube will mount up to the tabs on the bottom with pins supplied with push tube.



FOR QUESTIONS OR COMMENTS PLEASE CALL: 320-964-1616 (7:00 to 4:30 CST Monday through Thursday).