



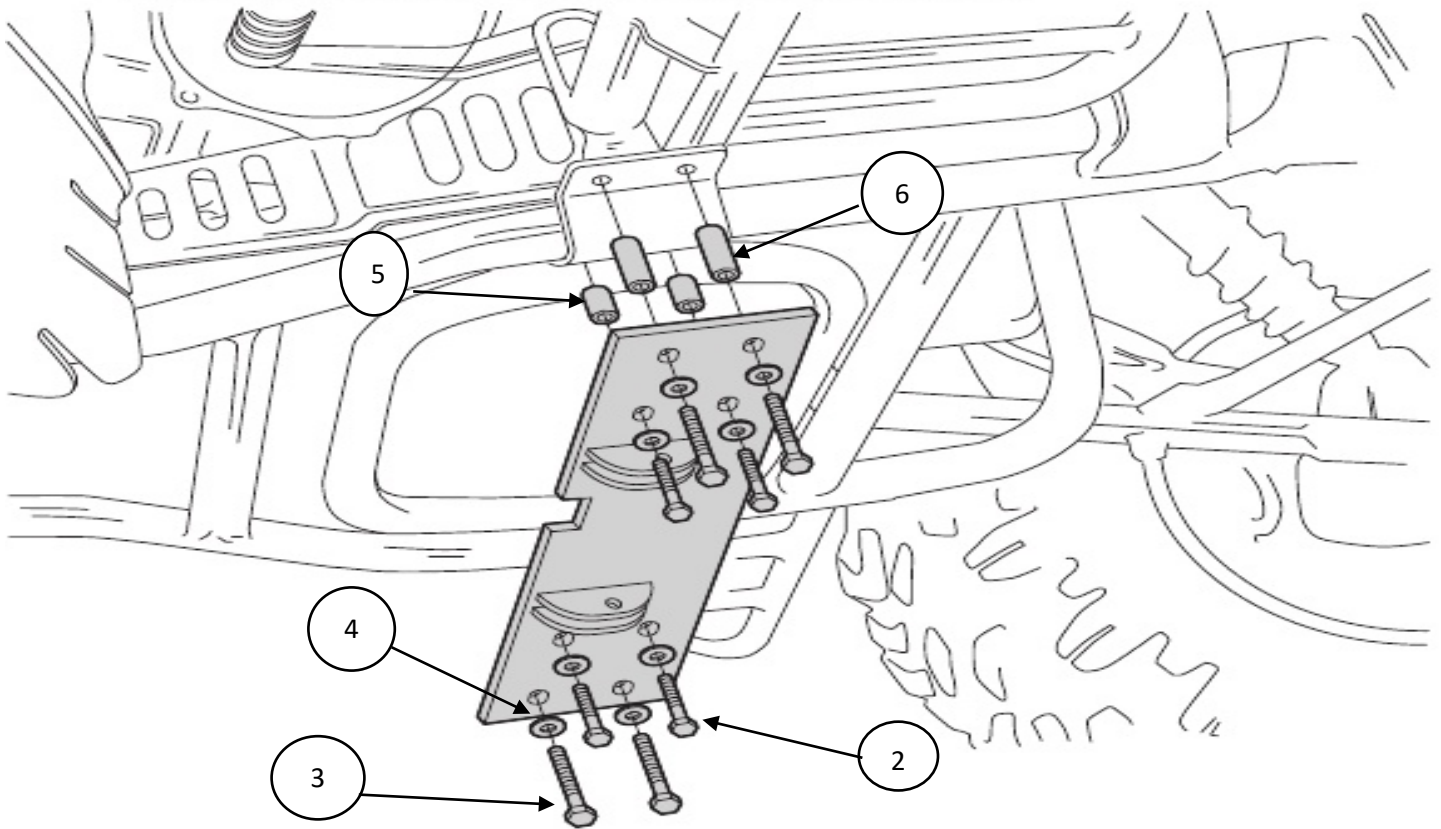
**KAWASAKI**  
**89-02 KLF 300 Bayou 4x4**  
**BLADE HARDWARE**  
**MOUNTING INSTRUCTIONS**

**PART# 4501-0600**

ITEM	PART#	QTY.	DESCRIPTION
1	2730-70	1	Bottom Plow Mount
2	HDW1058	4	8mm x 50mm Hex Bolt
3	HDW1059	4	8mm x 55mm Hex Bolt
4	HDW9002	8	5/16 Flat Washer
5	HDW9406	4	5/8 x 5/8 Spacer
6	HDW9405	4	5/8 x 1-1/4 Spacer

***BOTTOM MOUNT INSTALLATION INSTRUCTIONS***

1. Remove the eight foot peg mounting bolts. Retain to reinstall if the bottom mount is removed.
2. Install the bottom mount (1) with the drain plug cut out toward the rear. Use the provided 8mm x 50mm bolts (2), flat washers (4) and the 5/8" spacers (5) in the four inside foot peg holes. See diagram. Install the 9mm x 55 mm bolts (3), flat washers (4) and 1-1/4" spacers (6) in the outside foot peg holes.
3. Evenly tighten all the bolts until the bottom mount is flush with the bottom of the ATV then tighten firmly.
4. Slide the blade/push tube assembly under the ATV. Lift the rear of the assembly up and align the holes in the bottom mount tabs and push tube. Install the wire loop pins.



**Diagram #2**

**FOR QUESTIONS OR COMMENTS PLEASE CALL: 320-964-1616 (Monday-Thursday 7:00 to 4:30 CST).**