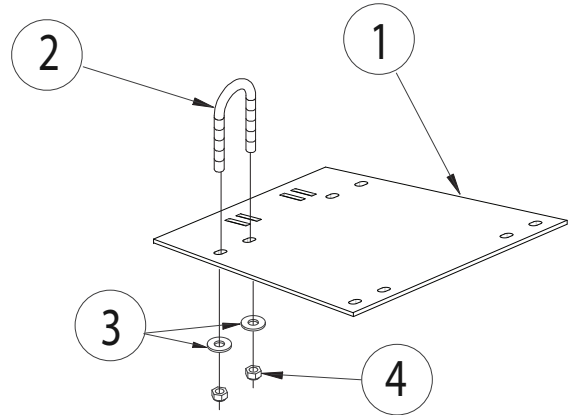




Item	Part #	Qty.	Description
1	2727-70	1	Bottom mount
2	HDW2158	4	5/16" x 1-3/8" x 2-3/16" U-bolts
3	HDW9002	8	5/16" flat washers
4	HDW7058	8	5/16" nylock nut

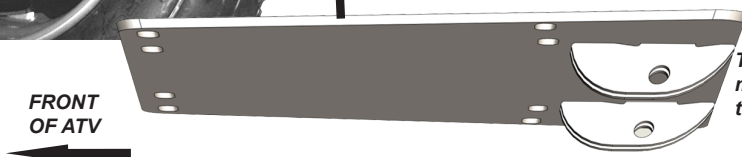
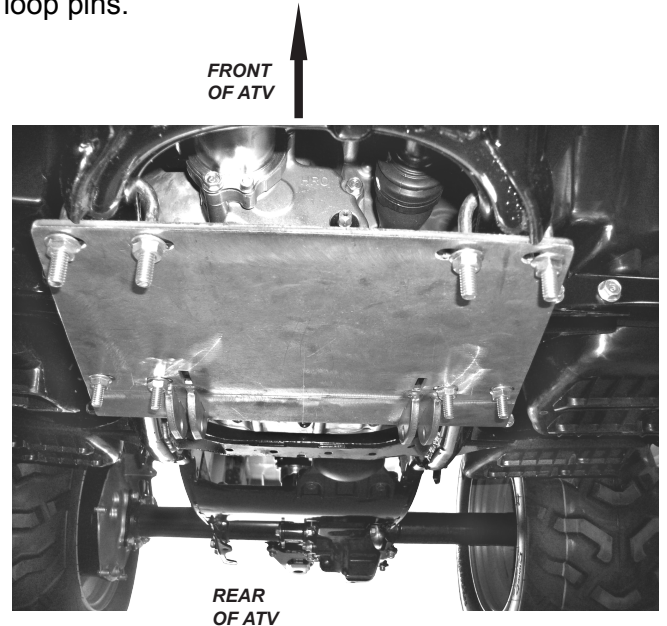
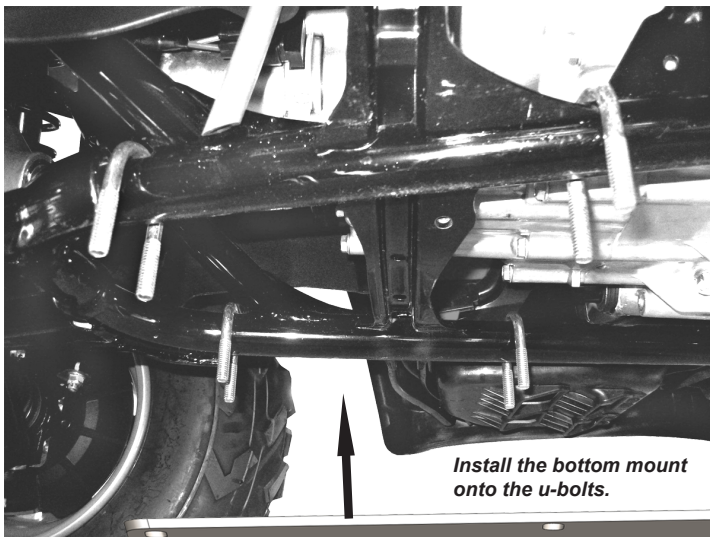
HONDA 2012-13 Foreman 500

PLOW MOUNTING INSTRUCTIONS P/N: 4501-0599



BOTTOM MOUNT INSTALLATION INSTRUCTIONS

1. Remove the skidplate. You can choose to leave it off permanently or mark and drill the u-bolt locations for reinstallation.
2. Hang u-bolts over the front and center of the main frame tubes per the illustration. If you choose to keep the skid plate on, you must mark and drill the skidplate for the u-bolts to drop down through. Reinstall skidplate with u-bolts hanging through.
3. Install the bottom mount onto the u-bolts, install flat washers and nuts. Tighten firmly. Note the tabs on the bottom mount are located towards the rear of the machine.
4. Slide the blade/push tube assembly under the ATV. Lift the rear of the assembly up and align the holes in the bottom mount tabs and push tube and install the wire loop pins.



Tabs on the bottom mount go towards the rear of the ATV.

Question or comments call 320-964-1616 Mon. thru Thur. 7:00 to 4:30 CST

INST2727PF