



**HONDA**  
**01-04 RUBICON 500 4X4**  
**PART# 4501-0597**

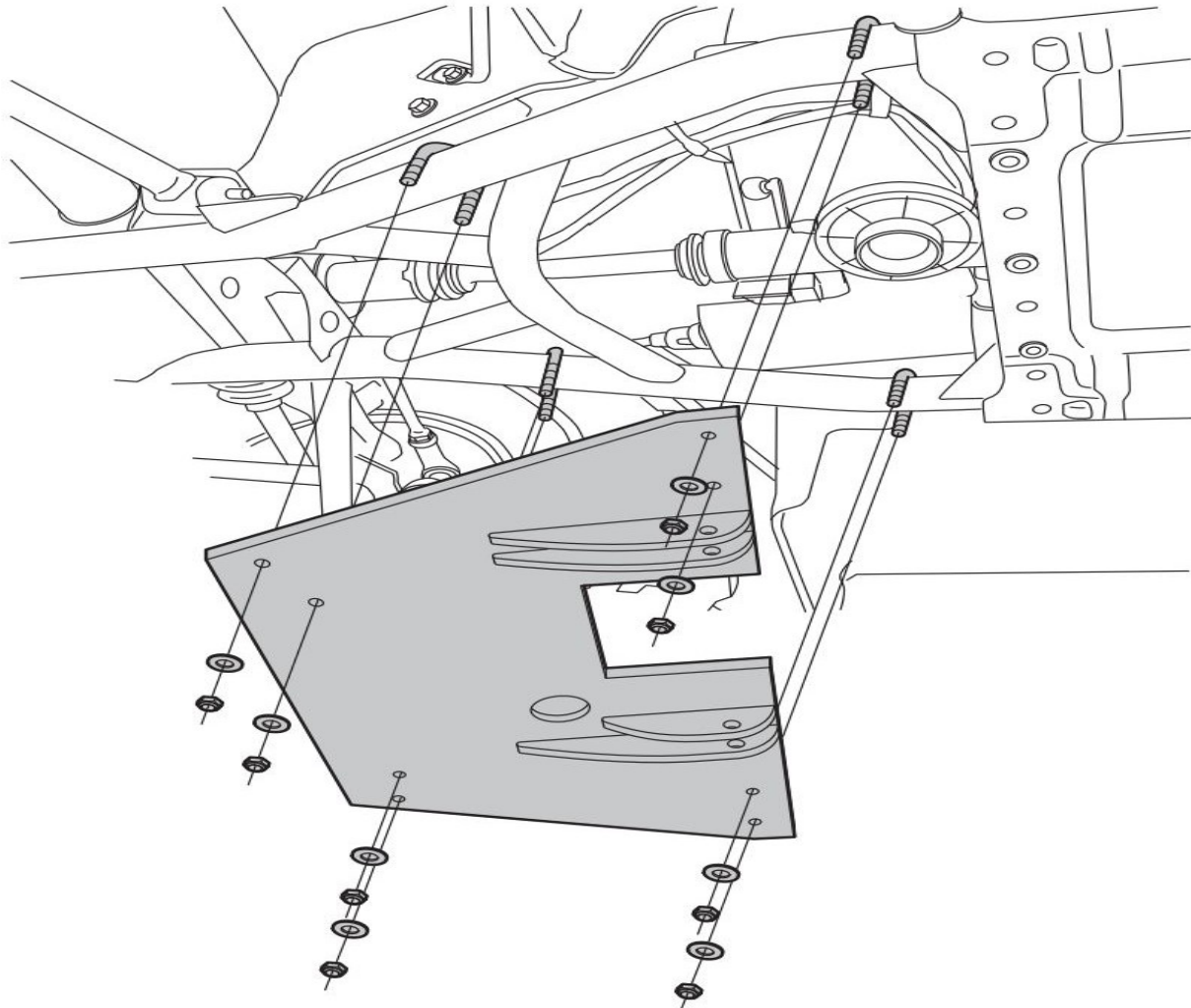
ITEM	PART#	QTY.	DESCRIPTION
1	2724-70	1	Plow Mount Weldment
2	HDW2154	4	5/16 x 1-1/4 X 2 Rd. U-Bolt
3	HDW9002	8	5/16 Flat Washer
4	HDW7058	8	5/16 Nylock Nut

### ***BOTTOM MOUNT INSTALLATION INSTRUCTIONS***

Remove the front half of the bottom skid plate. Reinstall the front bolt of the skid plate and tighten.

Place the four U-bolts around the frame tubes as illustrated. Position the bottom mount plate up and onto the U-bolts. Use the washer and Nylock nuts to secure. Align the mount plate cut out around the oil filter access cover. Tighten securely.

The push tube will pin up to tabs on the bottom with the wire loop pins supplied with push tube.



**FOR QUESTIONS OR COMMENTS PLEASE CALL: 320-964-1616 (7:00 to 4:30 CST Monday through Thursday).**