



**RM4 Plow Mount
Installation Instructions
2007-15 ARCTIC CAT
450/500/550/650/700/1000 Models
Part #: 4501-0810**

ITEM	PART#	QTY.	DESCRIPTION
1	2580-100	1	RM4 Plow Mount Weldment
2	2580-103	1	Reinforcing Plate
3	2580-104	1	Backstop Bracket
4	KD100	1	Removable Mount
5	HDW1055	4	8m x 35mm Hex Bolt
6	HDW9002	12	5/16 Flat Washer
7	HDW7058	4	5/16 Nylock Nut
8	HDW2051	4	5/16 x 1 Hex Bolt
9	HDW9185	1	1/2 Cotterless Hitch Pin

The RM4 Mount kit is designed to allow for quick removal when not needed for plowing. This mount design uses the machines front bumper and frame member to push against and distribute the load when plowing. See below for installation instructions of the mount kit.

INSTALLATION:

1. Remove the lower front plastic skidpan. **NOTE: If you already have a winch installed:** You will need to unbolt the winch (but keep in place) to ease the installation of the RM4 mount. Remove the roller fairlead.
2. Slide the reinforcing plate (#2) between your winch and the winch mounting plate on your ATV. Re-align the holes for the bolts.
3. Loosely install the backstop bracket (#3) to the RM4 mount (#1) using four 5/16" x 1" hex bolts (#8), eight 5/16" flat washers (#6), and four 5/16" nylock nuts (#7). You will adjust and tighten this bracket after the mount is installed.
4. Hold the main mount plate in place underneath the factory winch mounting plate. Loosely install the 8mm x 35mm bolts (#5) and 5/16" flat washers (#6) up from the bottom through the main mount plate, factory winch mount bracket, reinforcing plate, and into the winch. **NOTE: Some winches may use a different size/thread bolts than what is included. If the bolts will not go in easily please do not force them as you may damage your winch. Remove the winch and determine what size threadpitch you will need. Two bolt pattern winches will require a Moose winch mounting kit and will install to the RM4 system in a similar fashion. Some additional hardware may be required.**
5. The top holes of the main mount plate will align with the factory roller fairlead mounting holes. Once aligned, loosely reinstall the roller fairlead through the main mount plate and into the factory mounting holes.
6. Make sure the mount is straight and aligned properly and tighten all nuts/bolts except the backstop bracket. Once bolted in place you can push the backstop bracket back against the frame tube and tighten firmly. These bolts should be very tight to keep the mount from shifting.
7. You will need to trim the lower plastic skidpan for clearance with the RM4. Hold the skidplate in place and mark the area that will need to be trimmed out for the mount and receiver to fit. Use a sharp knife, hacksaw, or other cutting tool to cut out the skidpan. Reinstall the skidpan.

NOTE: The 1/2" bolts and nuts for the removable mount are now pre-installed in the push tube. The hitch pin is in the push tube hardware kit.

FOR QUESTIONS OR COMMENTS PLEASE CALL: 320-964-1616 (7:00 to 4:30 CST Monday through Thursday).

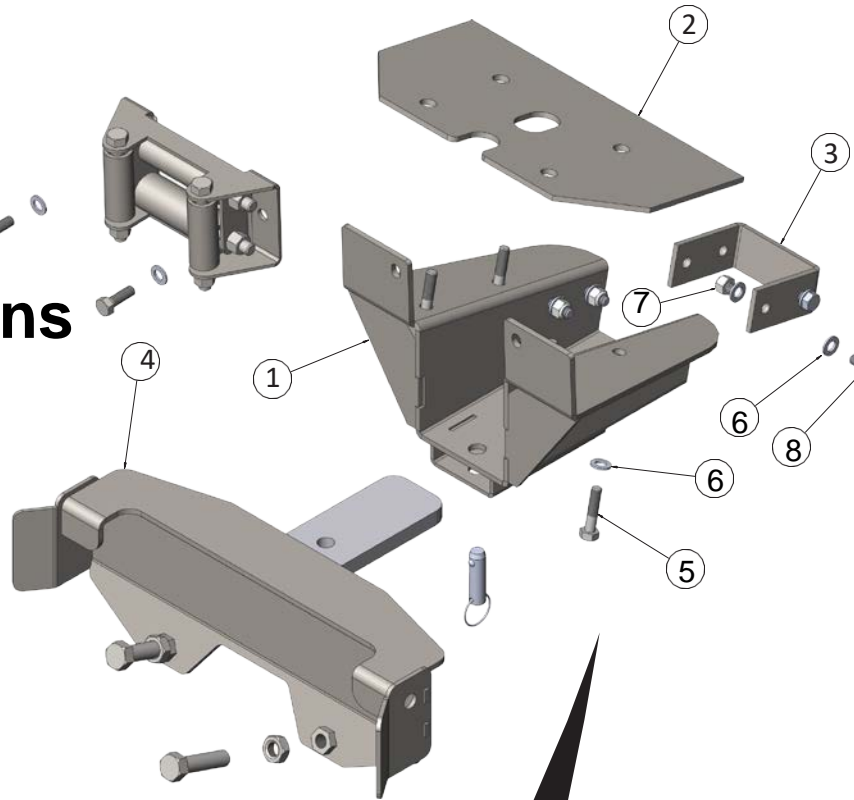
INST2580PF-1



RM4 Plow Mount Installation Instructions

ARCTIC CAT

Part #: 4501-0810



Front plastic AFTER cutting.



The main plate will be located on the bottom of this factory winch mounting plate.

The top of the main plate will bolt through the roller fairlead mounting holes.

WARNING!

THIS MOUNT KIT IS DESIGNED TO WITHSTAND NORMAL PLOWING FORCES AT A MAXIMUM SPEED OF 5 MPH. EXCESSIVE PLOWING SPEED OR IMPACTING IMMOVABLE OBJECTS MAY DAMAGE THE PLOW, MACHINE, OR OPERATOR AND WILL NOT BE WARRANTED. THIS PLOW SYSTEM IS COVERED BY A ONE YEAR WARRANTY FROM DEFECTS IN MANUFACTURING. PLEASE CONTACT THE MANUFACTURER AT THE NUMBER LISTED BELOW FOR ANY POSSIBLE WARRANTY CLAIMS. BENT OR BROKEN COMPONENTS FROM ABUSE OR EXCESSIVE SPEED WILL NOT BE WARRANTED.

FOR QUESTIONS OR COMMENTS PLEASE CALL: 320-964-1616 (7:00 to 4:30 CST Monday through Thursday).

INST2580PF-2

