



PART#	QTY.	DESCRIPTION
2585-100	1	RM4 Plow Mount
KD100PF	1	Removable Mount
HDW1056	4	8mm x 40mm Hex Bolt
HDW2061	2	5/16 x 1-1/4 Hex Bolt
HDW7058	2	5/16 Nylock Nut
HDW9002	2	5/16 Flat Washer
HDW9185	1	1/2 x 1-1/2 Cotterless Hitch Pin

**RM4 PLOW MOUNT INSTRUCTIONS  
CAN-AM OUTLANDER 450L / 500L  
PART# 4501-0671**

Attach plow mount to the front of the ATV as illustrated.

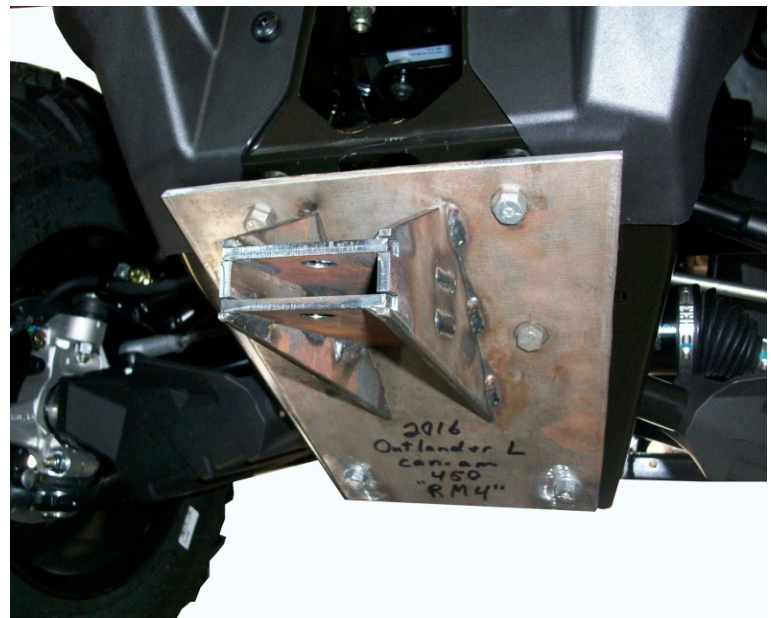
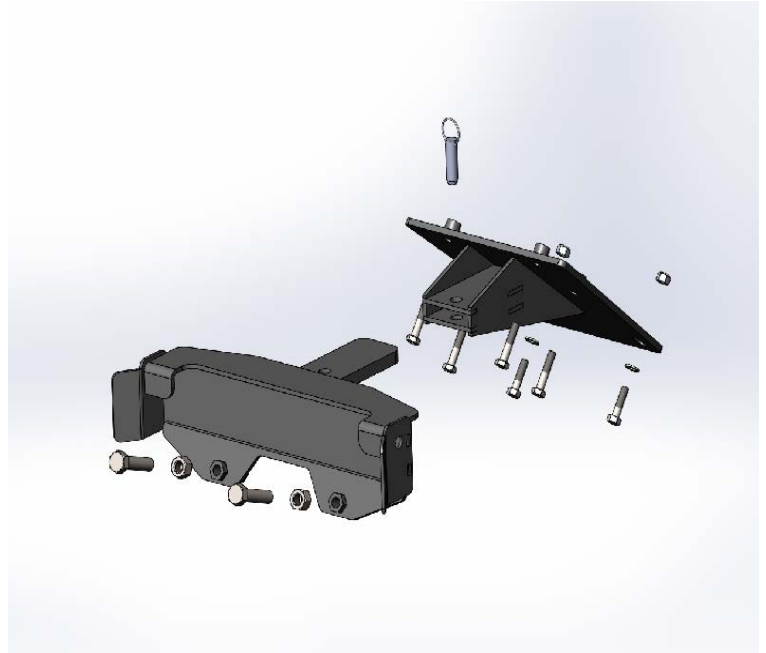
Attach plow mount to the four holes that the winch will be mounted to. The plow plate will bolt up to this location with the four 8mm x 40mm hex bolts going through the plow mount, spacers and then through front of ATV and into the winch.

The bottom portion of the mount will bolt using the two 5/16" x 1-1/4" hex bolts and lock washers going through the mount and front skid plate of ATV. Use the two 5/16" flat washers and nylock nuts on the inside of the skid plate

Align and tighten all bolts.

Some winches may use a different thread pitch than the ones provided, check to make sure the bolts fit. Do not force as this may ruin the threads.

On some of the new models, the lower portion of the front plastic guard may need to be trimmed for the mount to bolt up.



**FOR QUESTIONS OR COMMENTS PLEASE CALL: 320-964-1616 (7:00 to 4:30 CST Monday through Thursday).**

INST2585PF