

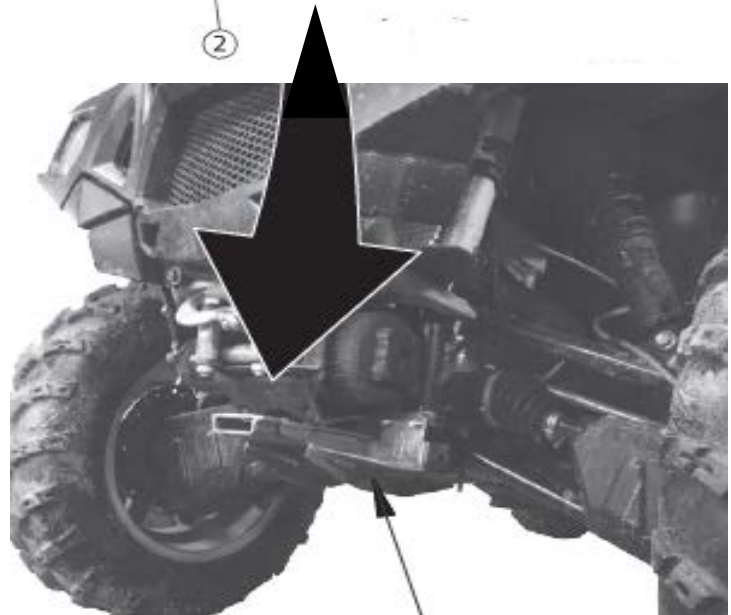
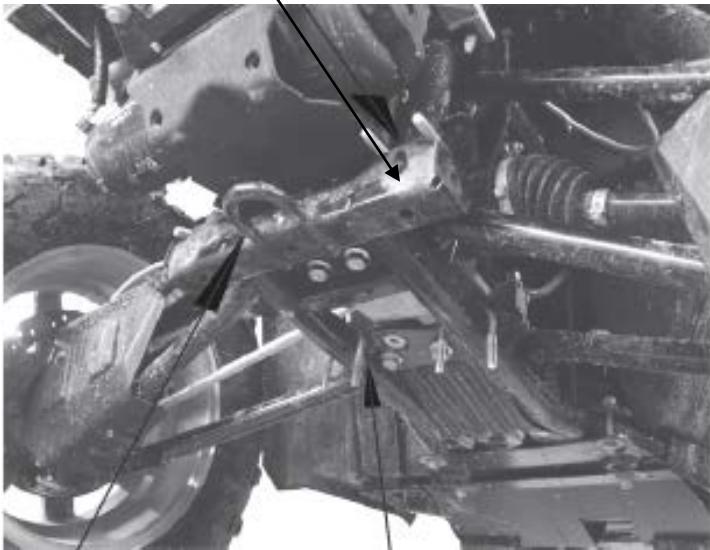
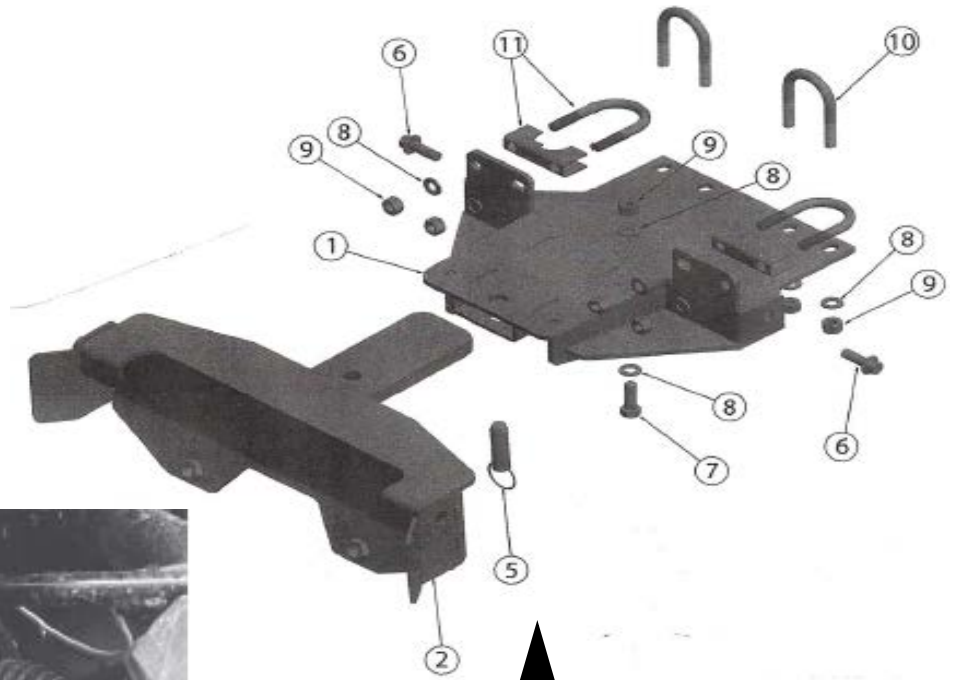


RM4 PLOW MOUNT INSTRUCTIONS

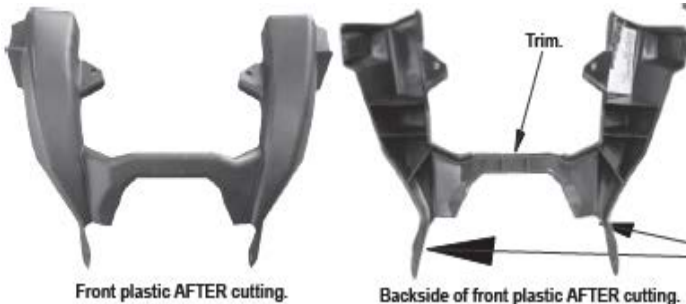
**POLARIS: 09-14 550XP/Touring/X2
 09-14 850XP/Touring – 15-16 850 Touring
 13-14 850 Scrambler
 PART# 4501-0660**

ITEM	PART#	QTY.	DESCRIPTION
1	2591-70	1	Plow Mount
2	KD100PF	1	Removable Mount
5	HDW9185	1	Locking Pin
6	HDW1052	2	8mm x 25mm Hex Bolt
7	HDW2051	1	5/16 x 1 Hex Bolt
8	HDW9002	10	5/16 Flat Washer
9	HDW7058	9	5/16 Nylock Nut
10	HDW2063	2	5/16 x 1/-1/4 x 2-1/4 Rd. U-Bolt
11	HDW9195	2	5/16 x 1-1/8 x 2 Rd. U-Bolt & Clamp

Place the U-bolts and clamps around the main frame tubes facing forward.



Slide mount over tow hook loop. Back U-bolts around frame tube shown with RM4 mount in place just below the winch mount.



TRIM

FOR QUESTIONS OR COMMENTS PLEASE CALL: 320-964-1616 (7:00 to 4:30 CST Monday through Thursday).

INST2591PF