



**RM4 PLOW MOUNT INSTRUCTIONS**  
**CF-MOTO TRAIL Z FORCE 800**  
**PART# 4501-0808**

ITEM	QTY.	PART#	DESCRIPTION
1	1	2477-100	RM4 Plow Mount
2	1	KD200	Removable Mount
3	2	HDW1054	8mm x 25mm Full Thread Bolt
4	2	HDW2158	5/16 x 1-3/8 x 2-3/16 U-Bolt
5	6	HDW9002	5/16 Flat Washer
6	4	HDW7058	5/16 Nylock Nut
7	1	HDW9185	1/2 Cotterless Hitch Pin

Remove the lower front plastic bumper guard.

Remove the lower bolts on frame where the mount will be bolting up to.

Hold mount up in place as illustrated and use the 8mm x 25mm bolts and two flat washers to attach the mount to where you previously removed the bolts.

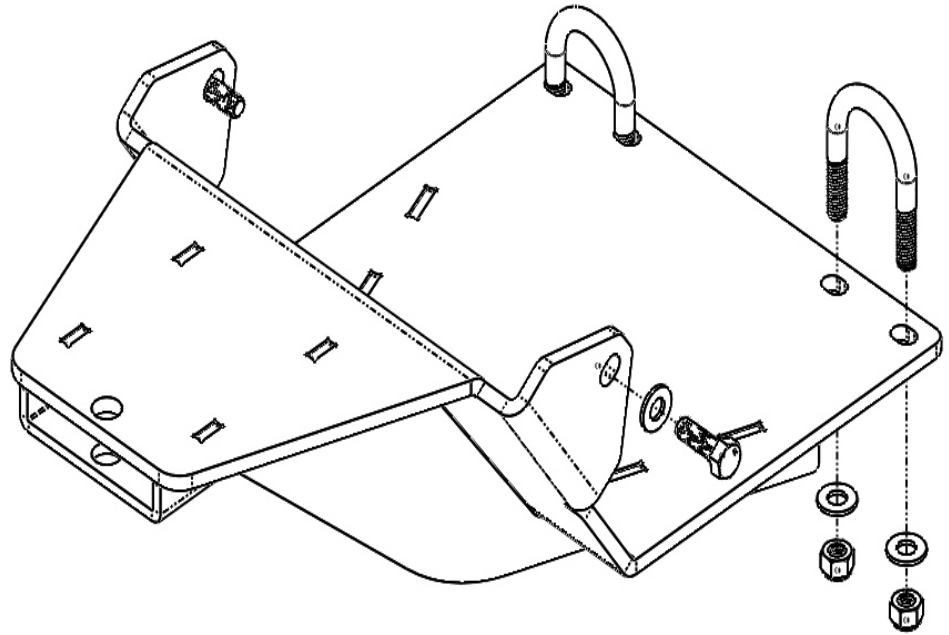
Swing the back portion of the mount up in place and secure with the u-bolts around the frame tubes as shown. Use the remaining washers and nylock nuts with the u-bolts.

Next align and tighten all bolts.

If desired, you may cut and/or trim the lower plastic bumper guard to fit around the mount.

The pin to attach the removable mount will go up and in from the bottom.

The removable mount will slide in and pin up with the 1/2" cotterless hitch pin.



**FOR QUESTIONS OR COMMENTS PLEASE CALL: 320-964-1616 (7:00 to 4:30 CST Monday through Thursday).**

INST2477PF