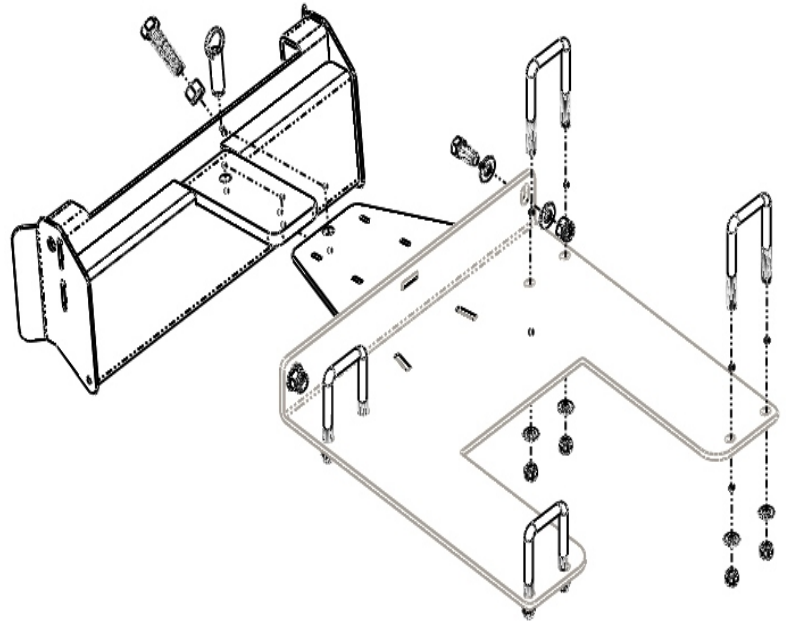




**RM4 PLOW MOUNT INSTALLATION INSTRUCTIONS**  
ARCTIC CAT 700 HDX PROWLER  
PART # 4501-0807

QTY.	PART#	DESCRIPTION
1	2486-100	RM4 Plow Mount
1		RM4 Removable Mount
4	HDW9062	5/16 x 2 x 3-1/2 SQ. U-Bolt
8	HDW7058	5/16 Nylock Nut
8	HDW9002	5/16 Flat Washer
2	HDW2210	7/16 X 1 Hex Bolt
2	HDW7084	7/16 Nylock Nut
4	HDW9008	7/16 Flat Washer
1	HDW9185	1/2 x 1-1/2 Cotterless Hitch Pin



Remove the lower front plastic guard and the complete undercarriage skid plate. (You can mark the undercarriage skid plate and drill. Wear bolts will come through to reuse skid plate.)

First, attach the front portion first the 7/16" x 1" hex bolts, washers and nuts.

Hold the mount up in place and place the U-bolts up over the frame tubes and down through the mount plate. Secure with the washers and nylock nuts. Tighten all hardware items securely.

You may need to trim the front plastic guard to re-attach.



**FOR QUESTIONS OR COMMENTS PLEASE CALL: 320-964-1616 (7:00 to 4:30 CST Monday through Thursday).**