

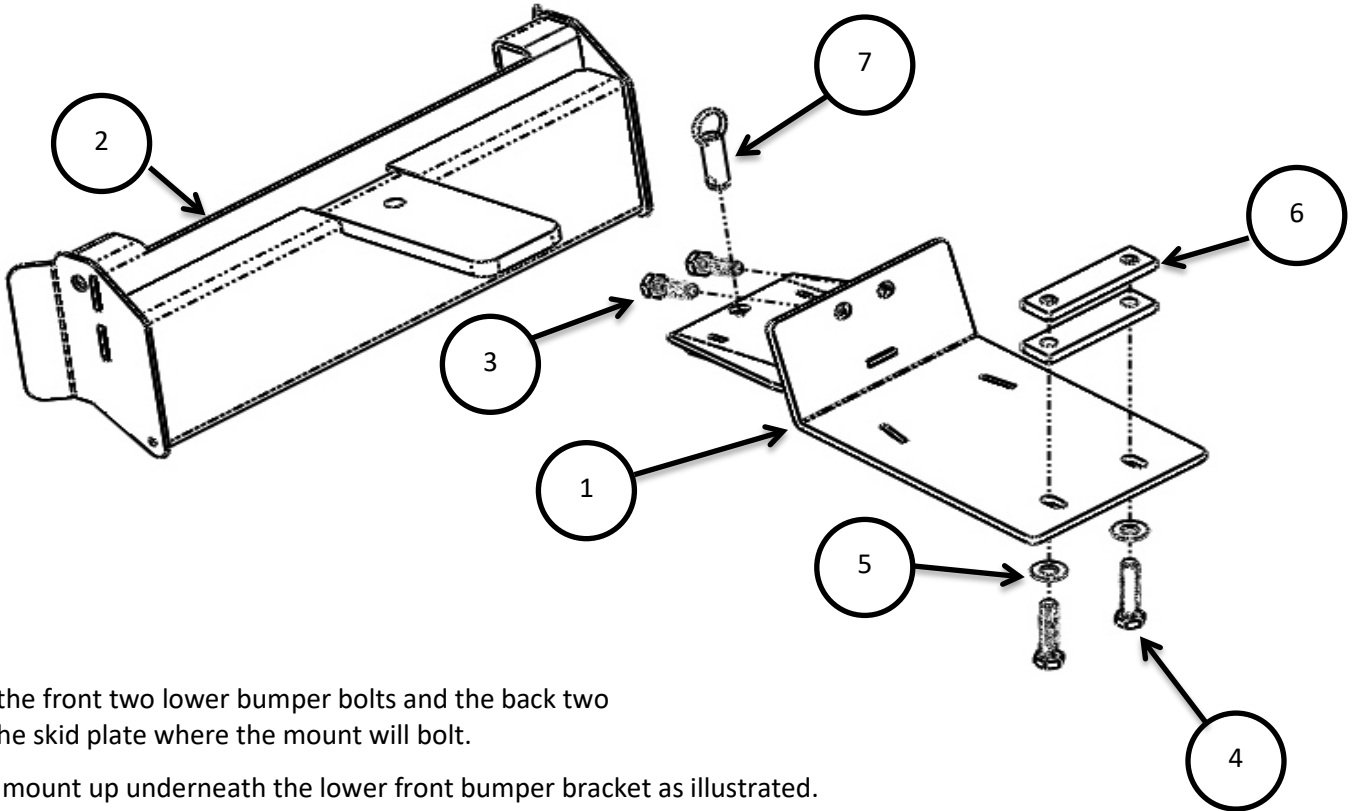


RM4 PLOW MOUNTING INSTRUCTIONS

POLARIS GENERAL 1000

PART# 4501-0806

ITEM	PART#	QTY.	DESCRIPTION
1	2479-100	1	RM4 Main Mount Weldment
2	KD200	1	Removable Mount
3	HDW9111	2	10mm x 35mm Hex Bolt
4	HDW9088	2	1mm x 50mm Hex Bolt
5	HDW9008	2	7/16 Flat Washer
6	2479-6	2	Spacer Block
7	HDW9185	1	1/2 x 1-1/2 Cotterless Hitch Pin

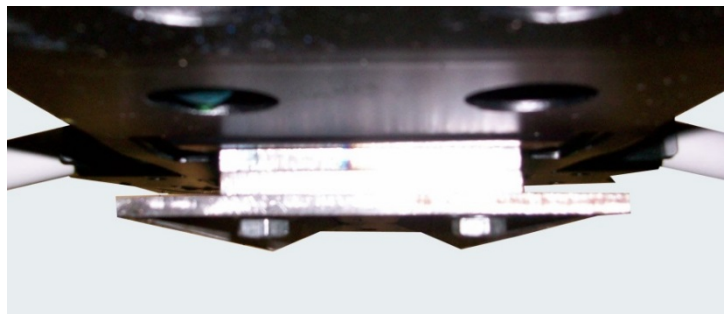


Remove the front two lower bumper bolts and the back two bolts in the skid plate where the mount will bolt.

Slide the mount up underneath the lower front bumper bracket as illustrated. Use the two 10mm x 35mm hex bolts in this location. Next, attach the bottom portion using the two spacer blocks and the two 10mm x 50mm hex bolts with the two 7/16 flat washers. Assemble and install as illustrated on the right.

The removable mount will slide into main mount plate and secure with the cotterless hitch pin.

Align mount and tighten all bolts securely. Retighten after using for a couple plow seasons.



FOR QUESTIONS OR COMMENTS PLEASE CALL: 320-964-1616 (7:00 to 4:30 CST Monday through Thursday).

INST2479PF