



HONDA PIONEER 500 RM4 PLOW MOUNT
PART# 4501-0805

PART#	QTY.	DESCRIPTION
2487-100	1	RM4 Plow Mount
KD200	1	Removable Mount
HDW9339	2	5/16 x 1-1/2 x 2-3/4 Square U-Bolt
HDW9002	4	5/16 Flat Washer
HDW7058	4	5/16 Nylock Nut
HDW1069	2	10mm x 30mm Hex Bolt
HDW9008	2	7/16 Flat Washer
HDW2100	2	3/8 x 1 Hex Bolt
HDW9001	2	3/8 Flat Washer
HDW7061	2	3/8 Nylock Nut
HDW9185	1	1/2 Cotterless Hitch Pin
INST2487	1	Instruction Sheet

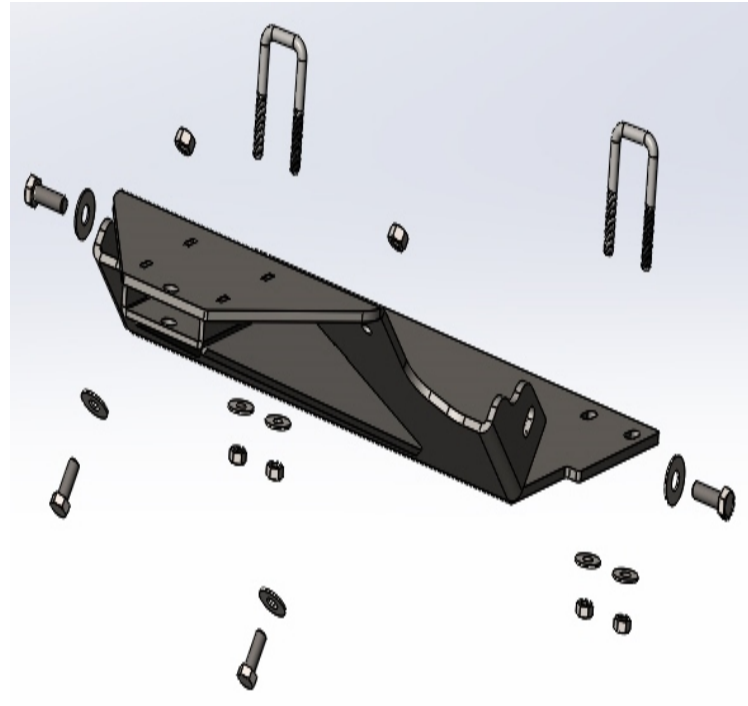
Remove the lower front skid plate bumper bolts.

Place mount in place as illustrated. Attach with the 10mm x 30mm hex bolts and 7/16" flat washers in the location you removed the bumper bolts.

Swing back portion up in place and attach with the 5/16" x 1-1/2" x 2-3/4" square U-bolts, washers and nylock nuts (with the U-bolt going up over frame tube and down through the mount).

Next, tighten all the mounting bolts.

On the top front portion of the mount there are two holes on each side. These are additional mounting holes and are strongly recommended you use. Use the mount as a guide and drill with a 3/8" drill bit through your bumper. Attach with the 3/8" x 1" hex bolts going through the mount and bumper. Use the 3/8" flat washers and nylock nuts on the inside of the bumper. Use the 1/2" hitch pin to connect the removable mount with the main mount on the machine.



FOR QUESTIONS OR COMMENTS PLEASE CALL: 320-964-1616 (7:00 to 4:30 CST Monday through Thursday).

INST2487PF