



RM4 PLOW MOUNT INTALLATION INSTRUCTIONS
YAMAHA WOLVERINE 700 / 850
PART# 4501-0798

(MUST REMOVE WINCH MOUNT TO INSTALL RM4)
 RM4 plow mount attach to winch mount and will
 Need to be a Moose or Yamaha winch mount.

Remove the 2 lower bolts that hold the lower portion
 of the bumper to frame. Use the 2- 10mm x 75mm hex
 bolt to replace these bolts. (may need to loosen
 bumper completely to align) Tighten bolts down
 securely.

Place RM4 plow mount in place and attach to with
 2- 10mm x 75mm hex bolts now hanging down below
 frame using the 2 – 10mm nylock nut and the 2 – 7/16
 Flat washers. NOTE: If 75mm bolts are not full thread
 then you will have to attach mount with the bolts
 going up through the mount and into bumper from
 the bottom up and use nuts as jam nuts on top.

At this point you can now reinstall the winch mount.

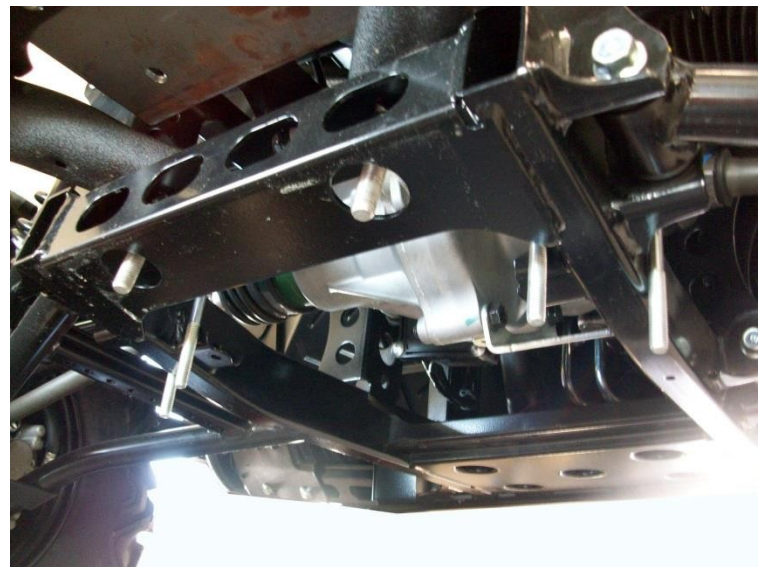
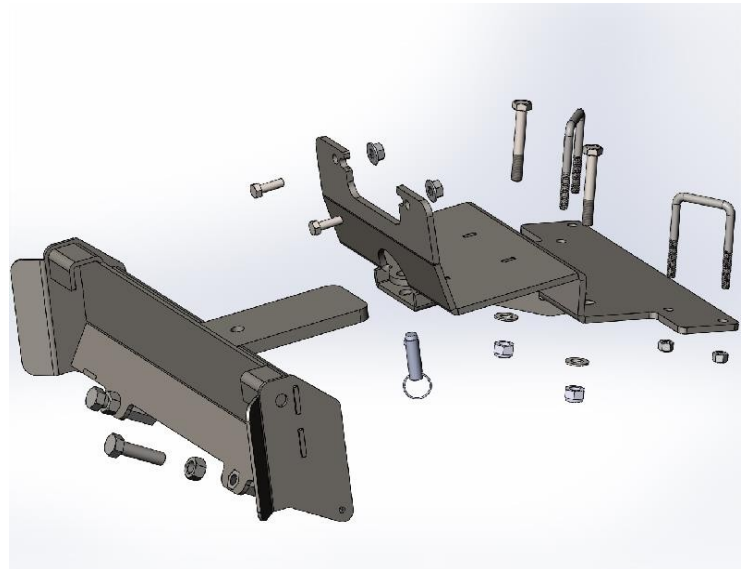
Place the 5/16 x 2 x 3 square U-bolts around the
 frame Just behind the front lower a-arm mount as per
 in the picture. U-bolt bolt will go around frame tube
 and down through the plow mount and tighten on
 using the 5/16 nylock nuts.

The upper portion of the mount will attach to the
 winch mount fairlead location with the 5/16 x 1 hex
 bolts and wiz nuts. Tighten all bolt securely at this
 time.

The removable mount will attach to the mount on the
 Machine using the cotterless hitch pin going in from
 the bottom up. Your RM4 push tube will then lock
 Into the removable mount.

1/2 x 2 bolts and nuts are now pre-assembled in the
 RM4 push tube. The do not go in the removable mount
 any more as shown.

Quantity	ITEM NUMBER	DESCRIPTION
1	2497-70	RM4 Plow Mount
1	KD200	RM4 Removable Horn
1	HDW9185	1/2 x 1-1/2 cotterless hitch pin
2	HDW1039	10mm x 75mm Hex Bolt
2	HDW1040	10mm Nylock Nut
2	HDW2051	5/16 x 1 Hex Bolt
2	HDW2406	5/16 x 2 x 3 Square U-Bolt
6	HDW7058	5/16 Nylock Nut
2	HDW7056	5/16 Wiz Nut
2	HDW9008	7/16 Flat Washer
2	HDW2060	5/16 x 1-1/2 Hex Bolt
2	HDW9420	5/8 x 1 Tube Spacer
1	INST2497	Instruction Sheet

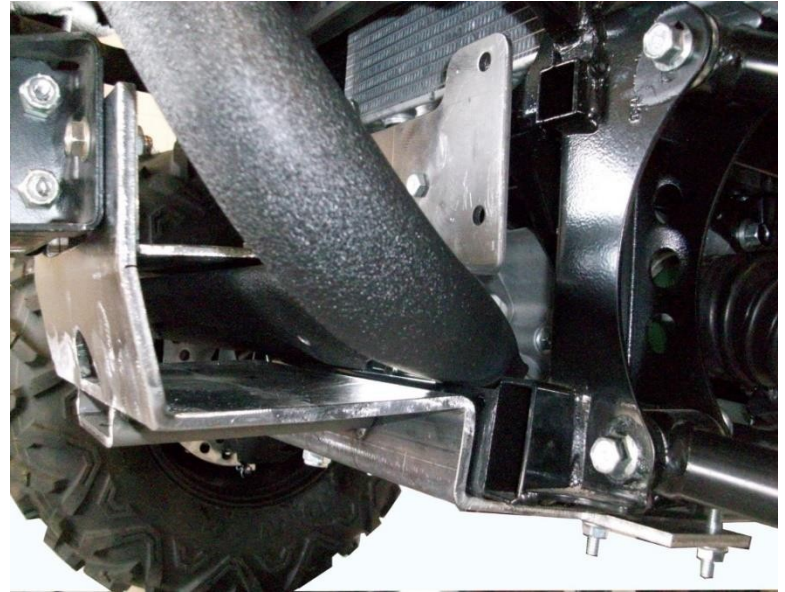




RM4 Plow Mount Installation Instructions

Yamaha 700 /850 Wolverine Part# 4501-0798

This side picture shows how all parts connect together after all it is bolted together with the Moose winch mount.



With the Yamaha winch mount you will need to use the RM4 mount as a guide and drill a 5/16 hole through the Yamaha mount making sure your spacing is correct.



Use the 5/16 x 1-1/2 hex bolts going through the RM4 and the Yamaha winch mount with the 5/8 x 1 tube spacer between the two and secure Using 5/16 nylock nuts on the inside and tighten.

