

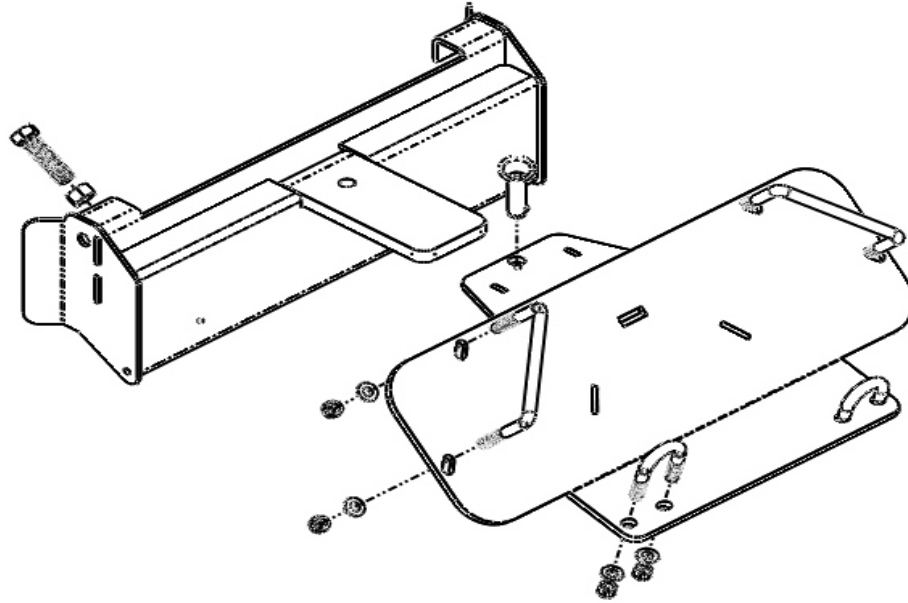


## MOOSE RM4 PLOW MOUNT INSTRUCTIONS

KAWASAKI MULE SX 4x4

PART# 4501-0793

PART#	QTY.	DESCRIPTION
2491-100	1	RM4 Bottom Mount
KD200	1	Removable Mount
HDW2065	2	5/16 x 4-1/4 x 2-3/4 Sq U-Bolt
HDW2154	2	5/16 x 1-1/4 x 2 Round U-Bolt
HDW7058	8	5/16 Nylock Nut
HDW9002	8	5/16 Flat Washer
HDW9185	1	1/2 Headless Hitch Pin



1. Place the 5/16" x 2-3/4" x 4-1/4" U-bolts around the front bumper tubes as illustrated at the bottom right.
2. Hold the RM4 plow mount up in place and attach to the U-bolts with flat washers and nylock nuts.
3. Swing the back portion of the RM4 up in place and secure with the 5/16" x 2-3/4" x 2" round U-bolts, the remaining flat washers, and nylock nuts.
4. Align mount and tighten all bolts. After use, re-tighten the bolts to make sure they are secure.
5. The removable mount will slide into mount and pin in place with the 1/2" hitch pin.
6. To avoid damage, remove the plow mount when trail riding.
7. The 1/2" bolts and nuts will may be pre-installed in the push tubes on new models and not in the removable mount.



FOR QUESTIONS OR COMMENTS PLEASE CALL: 320-964-1616 (7:00 to 4:30 CST Monday through Thursday).

INST2491PF