



RM4 PLOW MOUNT INSTRUCTIONS

2014 POLARIS 570 RZR

PART# 4501-0771

PART#	QTY.	Description
2481-100	1	Plow Mount
KD200	1	Removable Mount
HDW9195	2	5/16 x 1-1/4 x 2 U-Bolt
HDW9002	4	5/16 Flat Washer
HDW9001	2	3/8 Flat Washer
HDW2100	2	3/8 x 1 Hex Bolt
HDW7061	2	3/8 Nylock Nut
HDW7058	4	5/16 Nylock Nut
HDW9185	1	1/2 Cotterless Hitch Pin

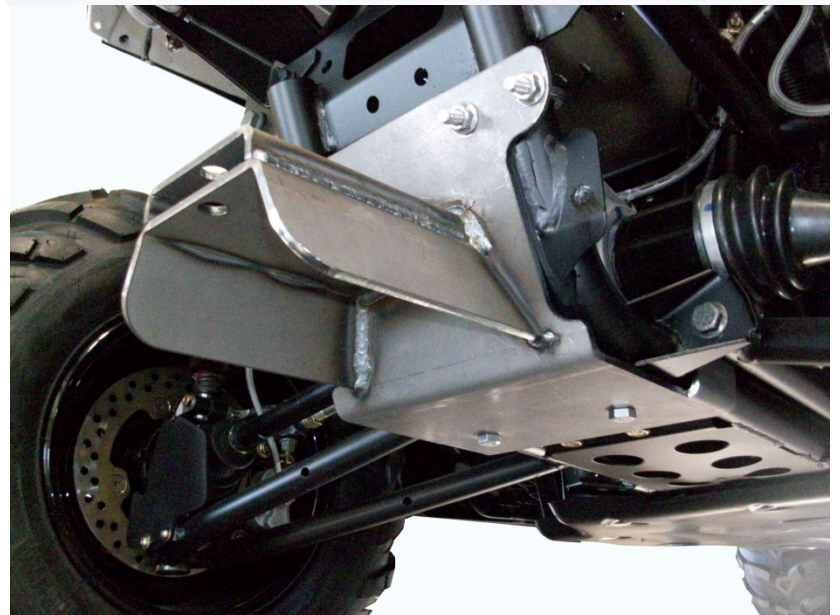
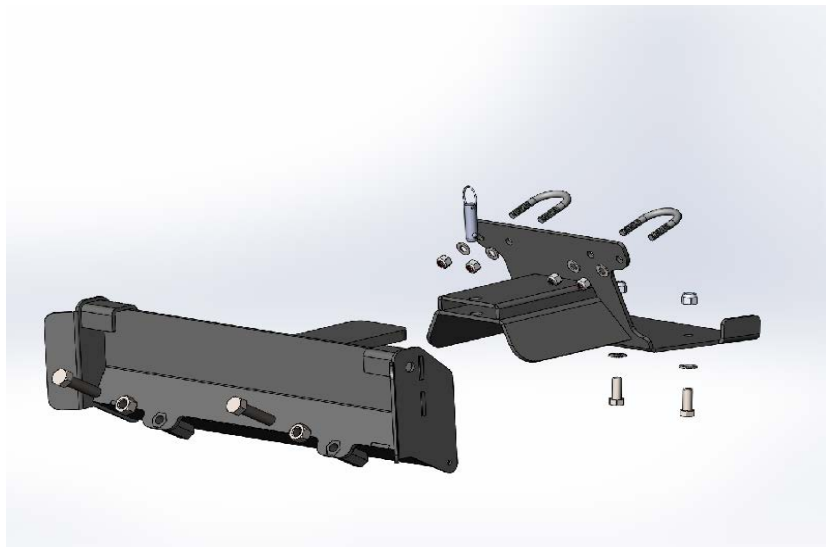
Remove the front plastic guard.

Align RM4 plow mount up to the front frame tubes and attach using the two 5/16" x 1-1/4" x 2" U-bolts, flat washers and nylock nuts as illustrated.

Lift and hold the back portion of plow mount up in place and align with the two alignment tabs on the mount going on the outside of the frame on each side. Attach the bottom part of the mount to the frame cross member using the two 3/8" x 1" hex bolts with washers and nylock nuts. The nylock nuts will go up and on the inside of the frame cross member. Tighten mount securely.

Replace the front plastic guard.

NOTE: Droop stop bolts are now pre-installed in the push tubes and are not included with the mount kit.



FOR QUESTIONS OR COMMENTS PLEASE CALL: 320-964-1616 (7:00 to 4:30 CST Monday through Thursday).

INST2481PF