



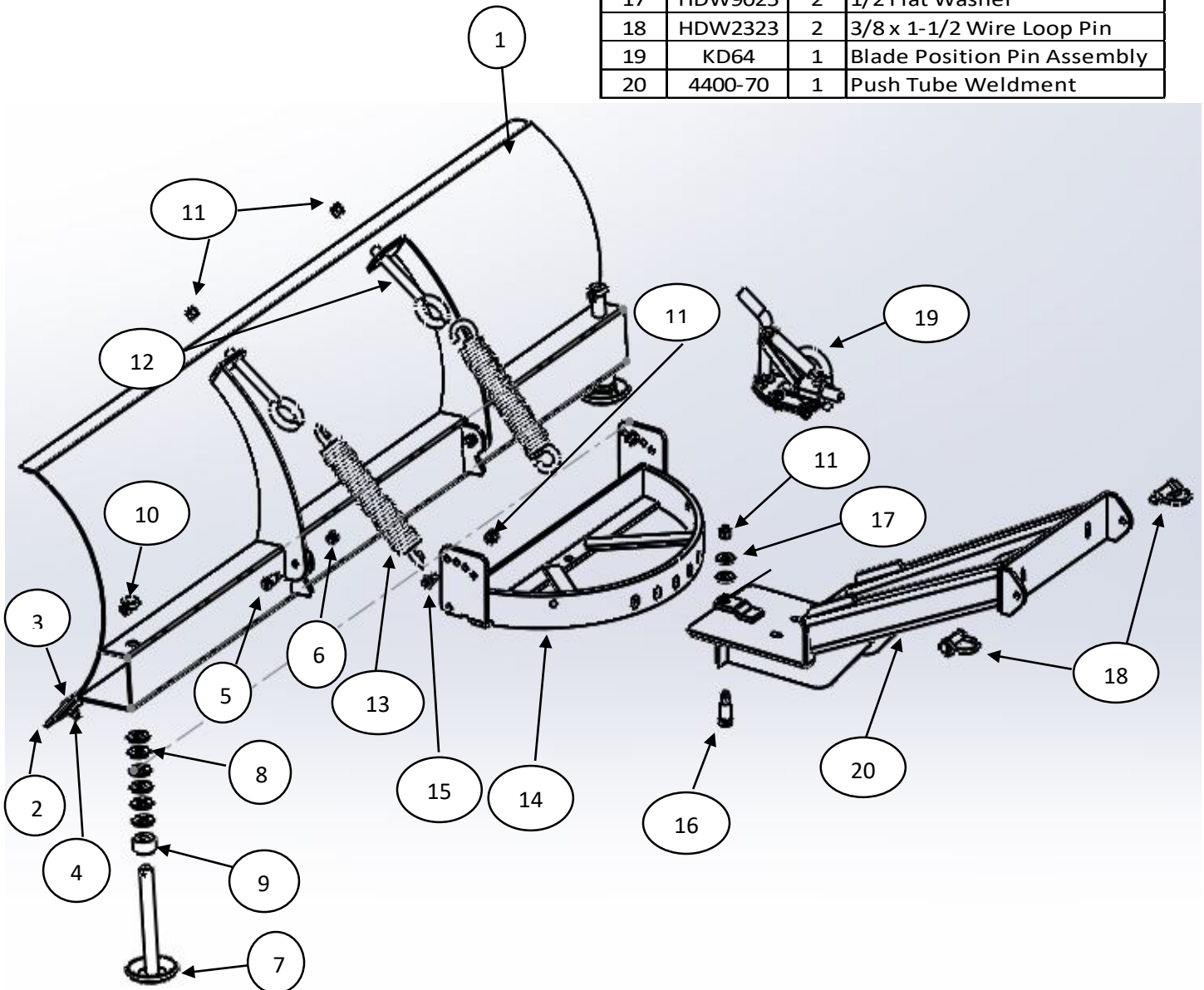
**MOOSE RM5 FRONT MOUNT PUSH TUBE
BLADE HARDWARE MOUNTING INSTRUCTIONS**

PART# 4501-0849

**CUSTOMER MUST RECEIVE A COPY OF THIS
INSTRUCTION SHEET AT TIME OF PURCHASE**

Shaded items are pre-assembled with the
Snow plow blade

ITEM	PART#	QTY.	DESCRIPTION
1		1	Blade 42", 50", 55", 60"
2		1	Wear Bar 42", 50", 55", 60"
3	HDW2064	7	5/16 x 1 Carriage Bolt
4	HDW7056	7	5/16 Serrated Flange Nut
5	HDW2161	2	3/8 x 3/4 Shoulder Bolt
6	HDW7058	2	5/16 Nylock Nut
7	2550	2	Blade Skid
8	HDW9005	12	5/8 Flat Washer
9	HDW2356	2	3/4 Rubber Spacer
10	HDW2315	2	3/16 x 1-1/4 Lynch Pin
11	HDW7061	5	3/8 Nylock Nut
12	HDW2117	2	3/8 x 6 Eye Bolt
13	HDW2369	2	Blade Spring
14	KD60	1	Blade Swivel
15	HDW93303	2	3/8 x 3/4 Socket Head Bolt
16	HDW2160	1	1/2 x 1 Shoulder Bolt
17	HDW9025	2	1/2 Flat Washer
18	HDW2323	2	3/8 x 1-1/2 Wire Loop Pin
19	KD64	1	Blade Position Pin Assembly
20	4400-70	1	Push Tube Weldment



Install the blade swivel onto the front of the push tubes using the 1/2" x 1" shoulder bolt, two 1/2" washers and one 3/8" nylock nut. Make sure swivel still turns after tightening, you may only need one washer.

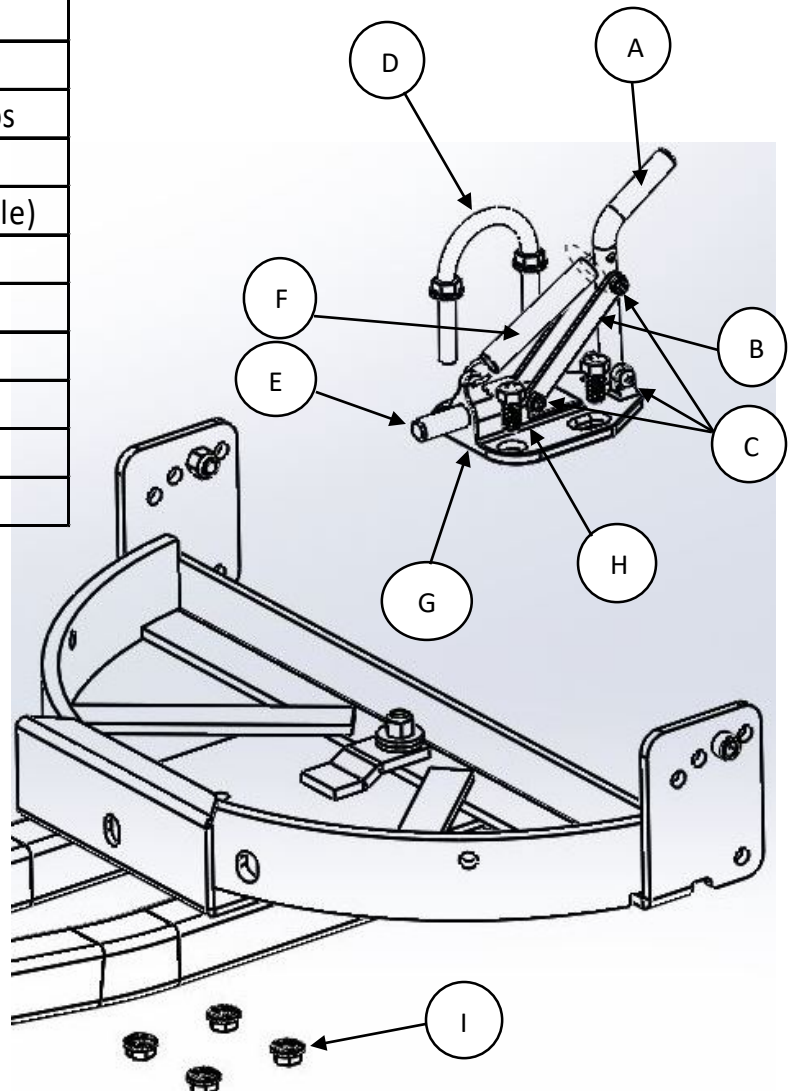
Install the KD64 blade position pin assembly to push tube by removing the nuts from the bottom and place on top of push tube with pin going through the swivel and push tube bracket, align holes and secure with nuts you removed. The U-bolt on the position pin assembly it to hook you winch cable to.

Hook the blade to the swivel by removing the shoulder bolts on the back of the blade and slide swivel in place between the blade arc and tab on back of blade and bolt up using the bottom holes and tighten. Use the 3/8" x 3/4" socket head bolt and 3/8" nylock nut for the blade stop in the top set of holes. (Start in the second hole back hole)

Hook you blade springs up to the swivel in the small hole on the top edge of the half moon part. Use the 3/8" x 6" eye bolt to go from spring to arc on the back of blade and secure with 3/8" nylock nut and tighten down so there is about 1" to 1-1/2" of thread shown (This is a starting point for spring tension)

The push tube will attach to the plow mount with the 3/8" x 1- 1/2" wire loop pins. After all is attached you may then adjust the blade to get the skids to be level or tilted back just a little. You may adjust the skids by transferring washers form top to bottom or vise versa. Skids and wear bar should touch ground at same time or to your discretion.

ITEM	PART#	QTY.	DESCRIPTION
A	KD64-3	1	Position Pin Handle
B	KD64-2	2	Position Pin Handle Straps
C	HDW2250	3	#8 x 1-1/2 Phillips Screw
	HDW7088	3	#8 Nylock Nuts (not visable)
D	HDW2145	1	3/8 x 2 x 3 Rd. U-Bolt
E	KD64-4	1	1/2 x 3-1/4 Position Pin
F	HDW2367	1	Position Pin Spring
G	KD64-1	1	Position Pin Bracket
H	HDW2106	2	3/8 x 3/4 Hex Bolts
I	HDW7060	6	3/8 Serrated Flange Nut



OPERATING INSTRUCTIONS

READ BEFORE OPERATING

Customer must receive a copy of these instruction at time of purchase

DANGER

Remove bottom mount and or front mount before doing any trail riding

To avoid serious injury and or death:

- 2 – Always use extreme caution while operating the plow on slopes, grades or slippery surfaces.
- 3 – Stay clear of blade and other moving parts during operating the plow.
- 4 – When plow never ram the pile of snow or frozen objects.
- 5 – Always back up before raising the plow blade.
- 6 – Beware of your area and avoid hitting frozen objects at all costs.

WARNING

To avoid personal or other injury:

- 1 – Read your machines operators manual.
- 2 – Always wear safety apparel when operating machine such as, Boots, Gloves, Helmet, Eye Protection and never wear loose clothing
- 3 – Never allow riders or passengers on machine while operating.
- 4 – Always make sure machine is off and brake is locked before making any adjustments to plow system
- 5 – Always keep blade in down position when not in use or when working on.

OPERATION

FOR SAFE OPERATION:

- 1 - The blade and plow mount system were designed with safety in mind to protect you and your machine, certain parts a designed to fail when the system is over stressed.
- 2 – When adjusting the blade angle make sure blade is off the ground a little and lock blade up and Turn off machine. Always make sure the blade position pin is locked in place and pin is all way Through the swivel.
- 3 – Always double check the nuts and bolts to make sure everything is secure and tight.
- 4 – Always know your surroundings and what you are plowing.
- 5 – Never exceed more than 5 mph or (8 kph) when plowing.
- 6 - Never have any passengers aboard machine while plowing.
- 7 - Always wear the proper gear and safety clothing when operating the plow system.
- 8 - Never hit or ram and large or frozen snow banks.
- 9 - When plow is not in use lower it to the ground and turn off machine and lock the brake.
- 10 – The plow system is only intended for snow and not to be used to move any other objects especially any frozen objects.
- 11 – This plow is not to be used for commercial use at all
- 12 – Make sure you are familiar with operating the machine and plow before doing so and always Read the operator’s manual.