

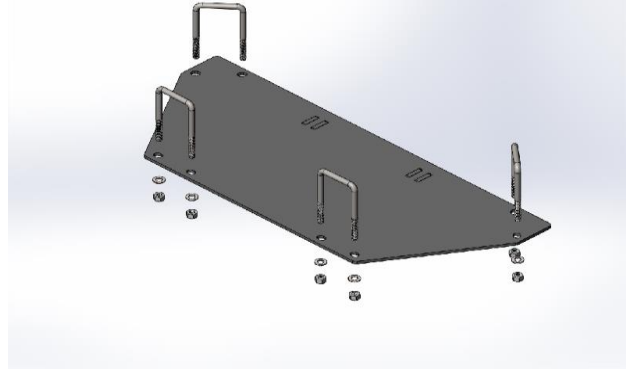


BOTTOM MOUNT

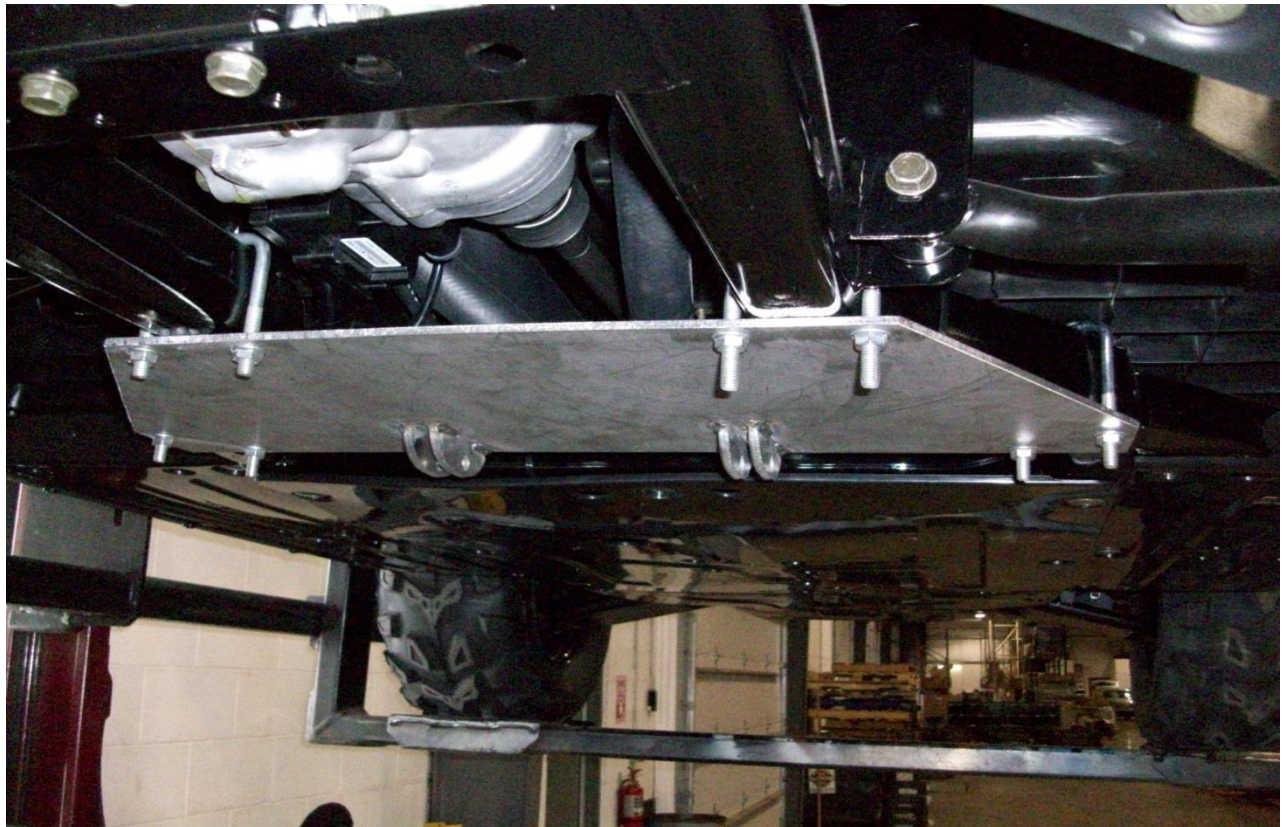
KYMCO 450i UXV
PART NUMBER 4501-0532

CUSTOMER MUST RECEIVE A COPY
OF THIS INSTRUCTION SHEET AT
THE TIME OF SALE

QTY	ITEM #	DESCRIPTION
1	2811-100	Bottom Mount
4	HDW9062	5/16 x 2 x 3-1/2 Sq. U-Bolt
8	HDW7058	5/16 Nylock Nut
8	HDW9002	5/16 Flat Washer
1	Inst2811	Instruction Sheet



1. REMOVE THE BOTTOM PLASTIC SKID PLATE.
2. ATTACH THE PLOW MOUNT TO THE FRAME AS PER PICTURE USING THE 4 – 5/16 X 2 X 3-1/2 SQUARE U-BOLTS GOING UP AND OVER THE FRAME, USE WASHERS AND NYLOCK NUTS TO SECURE. ALIGN AND TIGHTEN.



FOR QUESTIONS REGARDING YOUR ORDER CONTACT THE COMPANY YOU PURCHASED FROM.
FOR TECHNICAL OR INSTALLATION QUESTIONS PLEASE CALL 763-689-4800