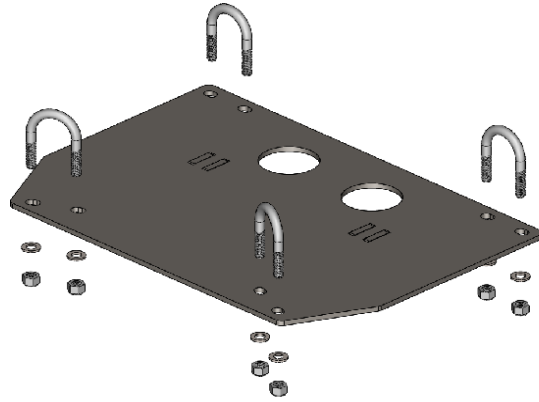




Quantity	Part #	Description
1	2789-100	Bottom Mount
4	HDW2154	5/16 x 1-1/4 x 2 U-Bolt
4	HDW9002	5/16 Flat Washer
4	HDW7058	5/16 Nylock Nut
1	Inst2789	Instruction Sheet

**ARCTIC CAT XR500/XR700
PLOW MOUNTING INSTRUCTIONS
P/N: 4501-0531**

**Customer must receive a copy of
Instruction at time of purchase**



**Remove bottom skid plate and place u-bolts
Over the main frame tubes as in bottom
picture.**

**Hold plow mount up in place and attach to the
u-bolts with the washers and nylock nuts.
Tapered end goes toward the front of the
Machine. Align and tighten.**

After plowing a few time re-tighten the u-bolts.

**You may attach over the skid plate if you align
and mark the hole and drill through the skid
plate.**

