

INSTALLATION INSTRUCTIONS

DRAG SPECIALTIES DETACHABLE DOCKING KIT P/N 1510-0231/0232

ATTENTION INSTALLER (if other than owner): Please forward this Instruction Sheet to the purchaser of this product. These instructions contain valuable information necessary to the end user.

INTRODUCTION: These instructions describe the procedure for properly installing the detachable four-point docking kit on 09-13 FLHR, FLHRC, FLHT, FLHX, FLTR and FLTRX, FLHRSE5, FLHXSE/2/3, FLTRSE3 and FLTRXSE/2 models.

Review these instructions carefully before beginning, as they contain important information. Please retain for future reference.

Particularly important information is distinguished in these instructions by the following notations:

NOTE: A **NOTE** provides key information to make procedures easier or clearer.

CAUTION: A **CAUTION** indicates special procedures that must be followed to avoid damage to the motorcycle and/or accessories.

WARNING!: A **WARNING** indicates special procedures that must be followed to avoid injury to a motorcycle operator or person inspecting or repairing the motorcycle.



NOTE: For use with detachable sissy bars, solo luggage racks, 2-up luggage racks, solo Tour-Pak® rack and 2-up Tour-Pak® rack. FLHRC models require separate purchase of Saddlebag Hinge Stop, OEM #90580-09.

INSTALLATION REQUIREMENTS:

Separate purchase of more parts or accessories is required for proper installation of this kit on certain model motorcycles.

Threadlocker and sealant – red (Drag Specialties PART #24200) is required for proper installation of this kit.

WARNING!: The rider's safety depends upon the correct installation of this kit. If the procedure is not within your capabilities or you do not have the correct tools, have your dealer perform the installation.

INSTALLATION:

All models:

1. Remove the screw retaining the rear of the chrome cover to the rear frame extension on each side of the vehicle.
2. Place the washer over the threads of each of the larger TORX® head screws from the kit.
3. For FLHXSE and FLTRXSE models: Position the antenna mounting bracket to the left-side docking plate. Install the screws through the docking plates and fender covers, and into the threaded holes in the frame extension. Do not fully tighten now. All other models except FLHXSE and FLTRXSE: Install the screws through the docking plates and fender covers into the threaded holes in the frame extensions on each side. Tighten the bolts until snug.
4. See Fig. 1: Slide the spacer (9) onto the long pin (1) of each of the docking plates. Install the bushing as noted in Fig. 1 (3,4 and 2) place washer (5) and insert smaller TORX® screw (7). Tighten until snug.

ALIGNMENT CHECK:

1. Install the desired detachable accessory per the instructions in that kit. If the docking points are not spaced far enough apart to accommodate the accessory:
 - a. Remove the accessory.
 - b. Get six chrome washers (6) from the kit.
 - c. Remove the six screws and chrome washers retaining the docking plate assemblies to the rear frame extensions.
 - d. Install one chrome washer behind the docking plate assemblies at each screw location as the screws and chrome washers are installed. Tighten the bolts until snug.
2. Install the detachable accessory per the instructions. Once the docking points are aligned and spaced, tighten the four screws (7) to 10.5 ft-lbs.
3. Remove one screw and chrome washer installed in Step 2-d.
 - a. Apply two to three drops of Threadlocker and Sealant – red to the threads of the screw.
 - b. Align the chrome washer behind the docking plate hole as needed. Install the screw and chrome washer.
 - c. Repeat the steps at the remaining five mounting positions.
 - d. Tighten all six mounting screws to 17 ft-lbs.

WARNING!: Before operating the motorcycle, be sure all hardware is tight.

NOTE: Replacement bushing kits are available: PART #s 1510-0233 (chrome) and 1510-0234 (black); they consist of items 2, 3 and 4 as shown in Fig. 1. Each kit consists of two bushings.



INSTALLATION INSTRUCTIONS

DRAG SPECIALTIES DETACHABLE DOCKING KIT P/N 1510-0231/0232

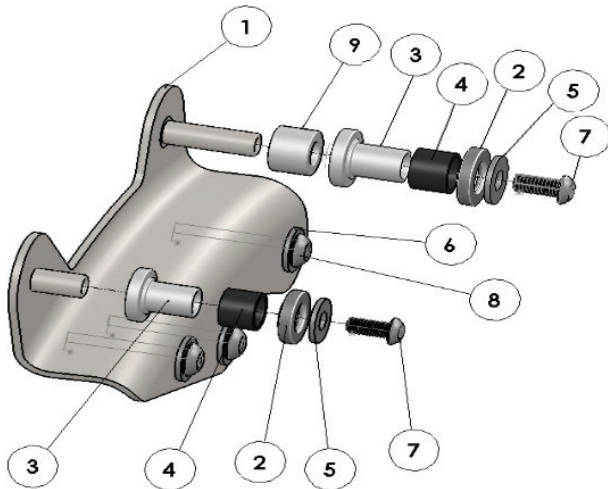


FIGURE 1

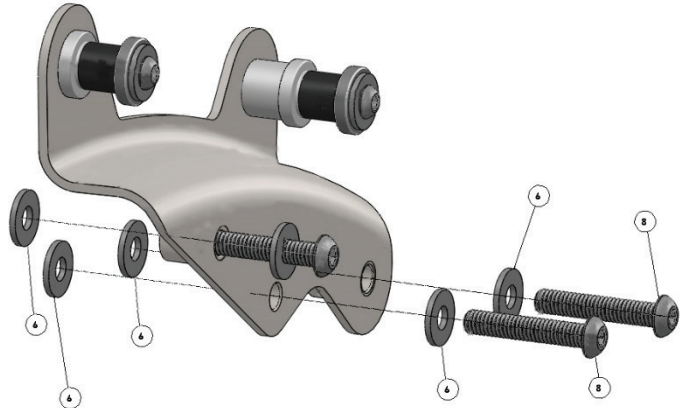


FIGURE 2

ITEM NO.	MOTHERWELL PART #	DESCRIPTION	QUANTITY
1	Bracket-825	Docking Plate Assembly (right side shown)	2
2	DH-825A	Inner Bushing	4
3	DH-825B	Outer Bushing	4
4	DH-825C	I-Glide Sleeve	4
5	FAS-040	1/4" Flat Washer Chrome	4
6	FAS-036	5/16" Flat Washer Chrome	12
7	FAS-035	1/4" -20 x 5/8"	4
8	FAS-034	5/16" - 18 x 13/4	6
9	DH-825E	Spacer, docking point	2

