



Ref#.	Qty.	Part #	Description
1	1	1611-01	Winch Mount Plate
2	4	HDW2100	3/8" x 1" Hex Bolts
3	4	HDW7061	3/8" Nylock Nut
4	1	HDW9351	M10 x 30 Button Head

Part Number: 4505-0524

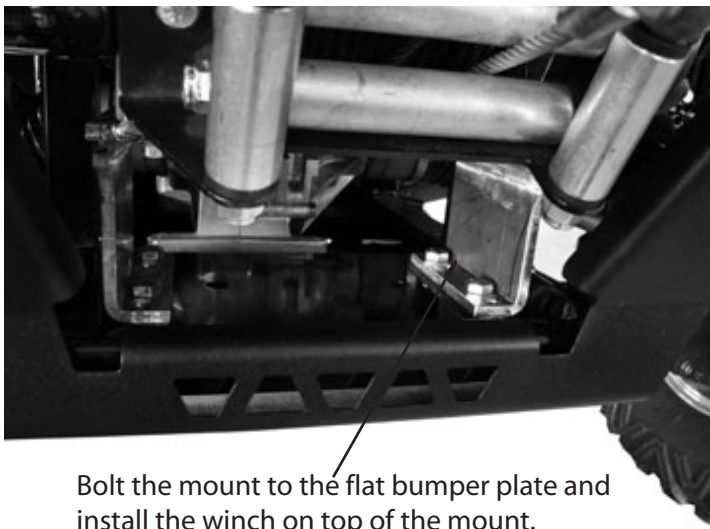
## Winch Mount Installation Instructions

2012-14 Kawasaki Teryx 4-Seater, 2014 Kawasaki Teryx 2-Seater

- Remove the metal front bumper cover.  
**ON 2014 AND NEWER MODELS:** There is a metal plate securing the swaybar to the frame. This plate needs to be removed, flipped upside down, and re-installed. This will put the cutout facing down giving more room for the winch. Replace the upper right side bolt with the M10 x 30mm button head bolt to provide extra clearance for certain winch bodies.
- Slide the mount through the front of the bumper and place on the frame plate. There are four holes in the plate that the mount will align with. Bolt the mount to the frame plate using the 3/8" x 1" hex bolts (#2) and 3/8" nylock nuts (#3).
- Slide your winch into place on the mount from the side of the machine behind the bumper. Center your winch on the mount and bolt in place using the hardware that came with your winch.
- This mount accept both sizes of roller fairleads, you will only use the one set of holes that match up with your roller fairlead. Install your roller fairlead using the hardware that came with your winch. Pull the cable through the fairlead and install the hook.
- Reinstall the metal front bumper cover.



### FOR 2014 and NEWER MODELS:



Bolt the mount to the flat bumper plate and install the winch on top of the mount.



This swaybar support plate needs to be flipped over so the cutout is at the top instead of the bottom.

Replace this bolt with the included M10 x 30mm button head bolt for winch clearance.