



# WINCH MOUNT KIT

## 2011 POLARIS RZR 900

P/N: 4505-0458

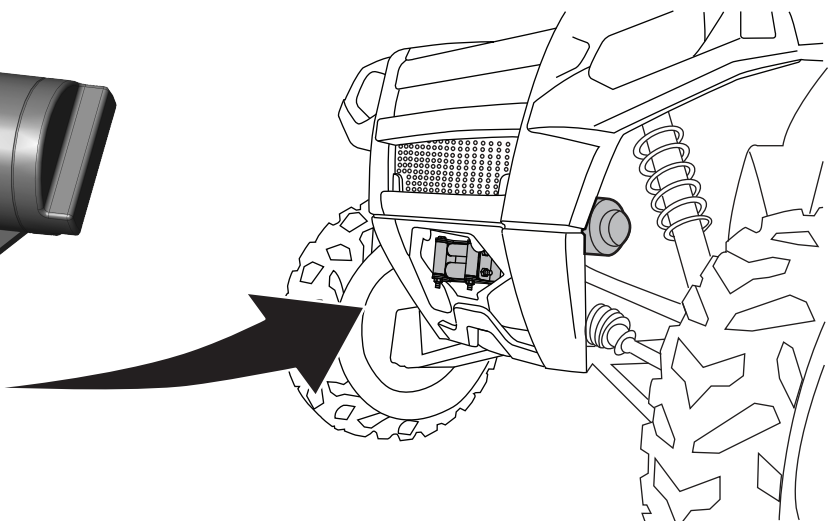
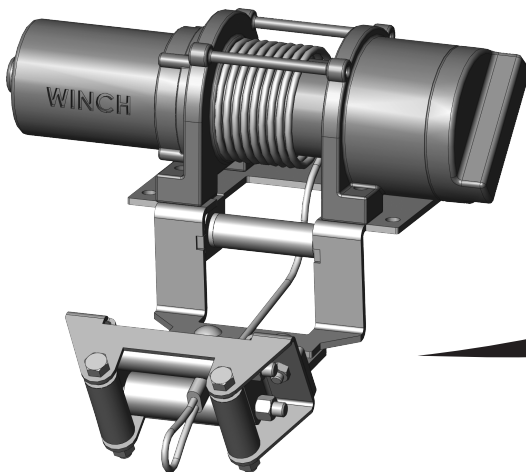
Item	Qty.	Part #	Description
1	1	1609-100	Main Mount Plate
2	1	1609-02	Roller Fairlead Plate
3	2	HDW2050	5/16" x 3/4" Hex Head Bolts
4	4	HDW7058	5/16" Nylock Nuts
5	3	HDW7061	3/8" Nylock Nuts
6	2	HDW2100	3/8" x 1" Hex Bolt
7	1	HDW2115	3/8" x 3-3/4" Hex Bolt
8	2	HDW2064	5/16" x 1" Carriage Bolt
9	1	1609-200	Roller
10	2	PC122	Roller Bushings

**NOTE: Roller fairlead not included with this kit!**

**NOTE: Will not fit two bolt pattern winches or some winches with the wide roller fairlead!**

### INSTALLATION:

1. Remove the front hood cover of the machine and set aside. Remove the front plastic bumper of the machine and set aside. Make sure to keep track of all of the hardware and the location it was removed from. **Note: Unplug the headlights before the front bumper is removed.**
2. Install the roller (#9) and roller bushings (#10) onto the main mount plate using the 3/8" x 3-3/4" hex bolt (#7) and 3/8" nylock nut (#5). See illustration for placement of the roller on the mount.
3. Put the mount into place on the RZR. The mount will sit on top of the frame rail in back and underneath the bracket on the bumper in the front. Loosely bolt the rear of the mount on top of the frame rail using two 3/8" x 1" hex bolts (#6) and 3/8" nylock nuts (#5).
4. Slide the roller fairlead bracket (#2) underneath the main winch plate. Bolt them all together from the top through the bracket on the bumper, winch mount plate, and the roller fairlead bracket using two 5/16" x 1" carriage bolts (#8) and 5/16" nylock nuts (#4).
5. Install the roller fairlead (not included) using two 5/16" x 3/4" hex head bolts (#3) and two 5/16" nylock nuts (#4).
6. Install the winch to the main plate using the hardware provided with the winch. Orientate the winch so the cable comes off the bottom of the drum. Run the winch cable down through the square cut-out in the main plate, UNDERNEATH the roller in the mount plate, then through the center of the roller fairlead. If using a synthetic winch cable and aluminum hawse, you may need different mounting hardware, check the hardware that was included with your hawse.  
**NOTE: Some winches have a crossbar support that must be removed so it does not interfere with the cable.**
7. Re-install the front bumper and front hood cover using the hardware retained. Plug the headlights back in.
8. Wire your winch according to the winch manufacturers instructions.



FOR QUESTIONS OR COMMENTS PLEASE CALL THE MANUFACTURER: **763-689-4800**



# WINCH MOUNT KIT

## 2011 POLARIS RZR 900

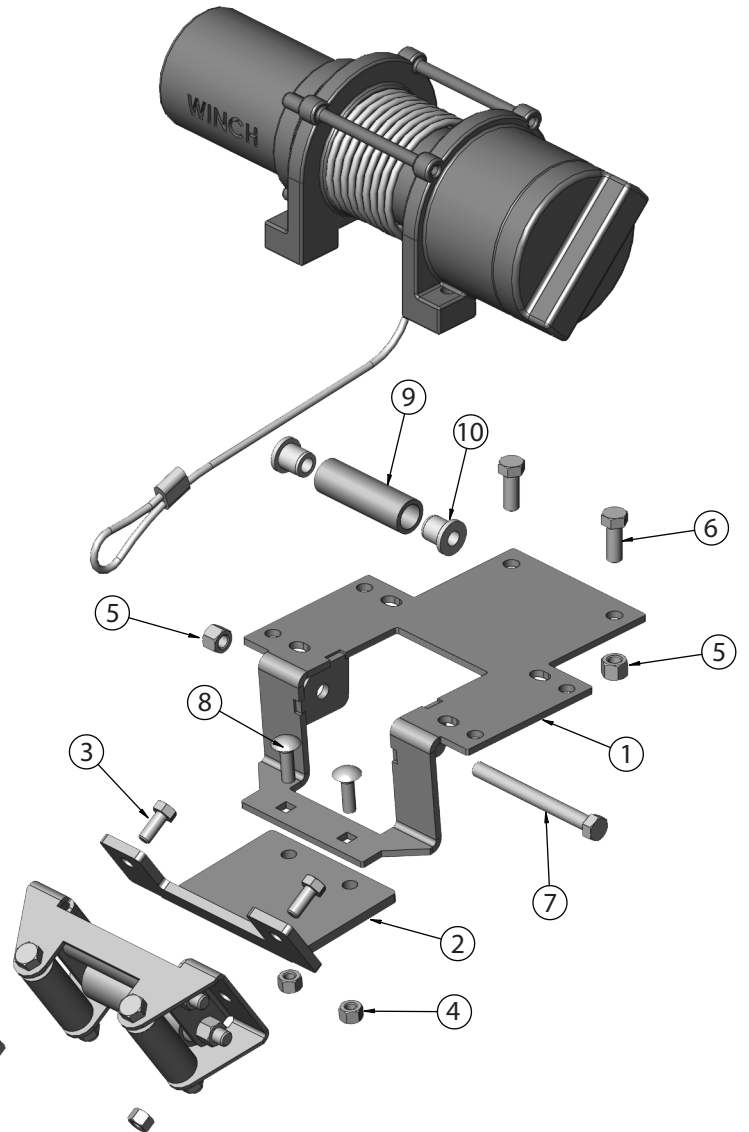
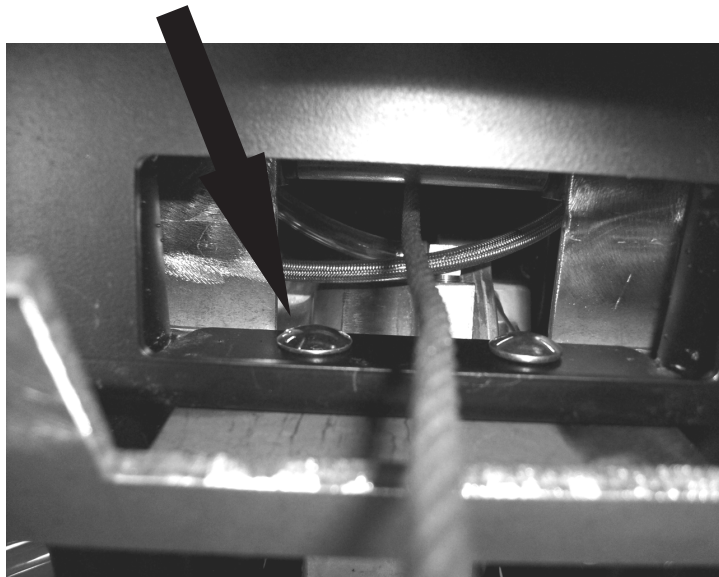
P/N: 4505-0458

PAGE 2

Front of the mount and roller fairlead bracket bolt underneath this bumper bracket. Attach with 5/16" carriage bolts and nylock nuts.



Carriage bolts install from the top of the bumper bracket. Roller fairlead bracket and front of mount install below the bumper bracket.



Back of the mount plate bolts on top of this frame bracket.



FOR QUESTIONS OR COMMENTS PLEASE CALL THE MANUFACTURER: 763-689-4800

All images used are copyrighted property of CMP and may not be used without permission. Inst1609M 09/08/2011