



Ref.	Qty.	Part#	Description
1	1	1610-1	Winch Mount Plate
2	1	1610-2	Roller Fairlead Mount Plate
3	2	HDW2102	3/8" x 1 1/4" Hex Bolt
4	4	HDW7061	3/8" Nylock Nut
5	2	HDW9001	3/8" Flat Washer
6	2	HDW2106	3/8" x 3/4" Hex Bolt

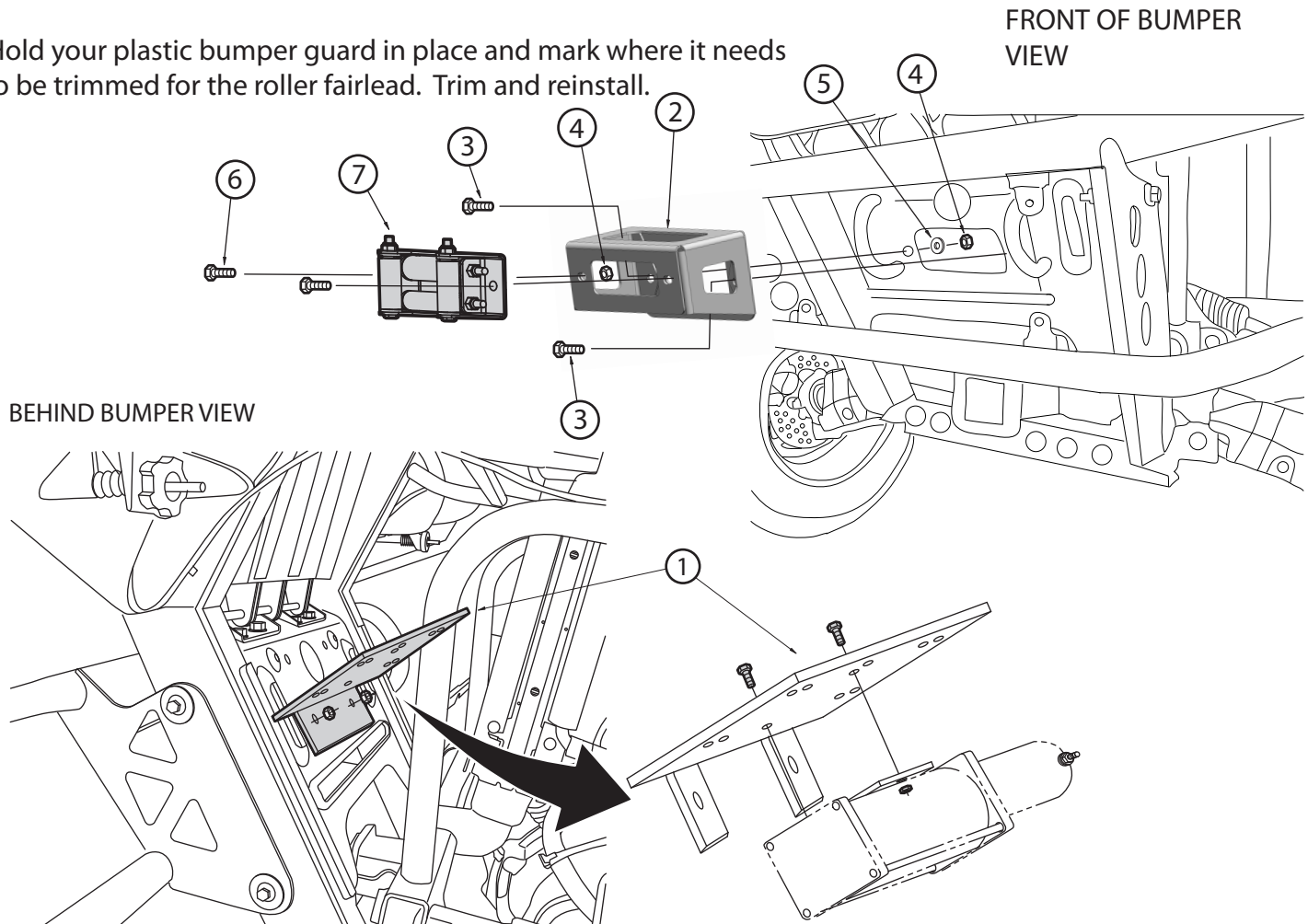
**NOTE: Roller fairlead not included with this kit!**

## WINCH MOUNT INSTALLATION INSTRUCTIONS

'06-'08 Arctic Cat 650/700 Prowler H1

**PART #1610M (4505-0405)**

1. Remove the plastic front bumper guard if equipped.
1. The main winch mount plate and the large formed roller fairlead bracket will go on either side of the bumper plate. The winch plate (#1) goes on the inside and the fairlead mount (#2) goes on the outside with a pair of 3/8" x 1.25" bolts (#3) going through all three pieces. Use included 3/8" washers (#5) and nylock nuts (#4) on the backside.
2. Attach your winch hanging upside down to the winch mount plate making sure the cable spools off the bottom of the drum. Use the hardware supplied with your winch for bolting to the plate.
3. Bolt your roller fairlead to the fairlead mount with the supplied 3/8" x 3/4" Hex Bolts (#6) and 3/8" nylock nuts (#4).
4. Hold your plastic bumper guard in place and mark where it needs to be trimmed for the roller fairlead. Trim and reinstall.



**FOR QUESTIONS OR COMMENTS PLEASE CALL THE MANUFACTURER: 763-689-4800**

All images used are copyrighted property of CMP and may not be used without permission.

Inst1610M 07/07/08