



Qty.	Part#	Description
1	1534-1	Winch Mount
4	HDW2154	5/16" x 1-1/4" x 2" Round U-Bolts
10	HDW7058	5/16" Nylock Nuts
8	HDW9002	5/16" Flat Washers
2	HDW2050	5/16" x 3/4" Hex Bolts

NOTE: Roller fairlead not included with this kit!

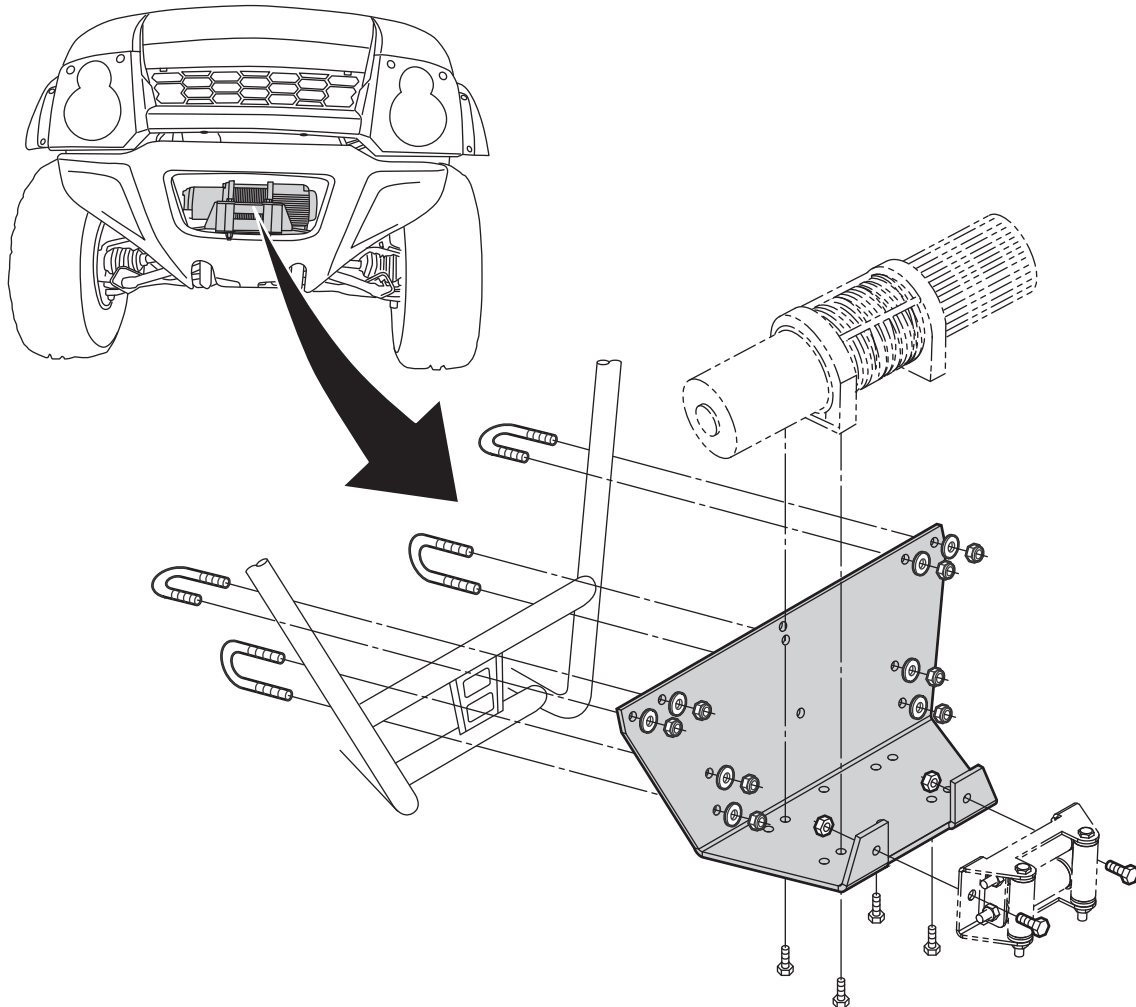
Winch Mount Installation Instructions

'05-'09 Kawasaki 610 Mule

Part Number: 1534M (4505-0400)

INSTRUCTIONS:

1. Remove the plastic lower front cover.
2. Remove the two bolts on the left side mud shield that connect to the frame for easier access.
3. Install the winch to the winch mount using the hardware supplied with the winch.
4. Install the winch and mount per the illustration using the provided U-Bolts, flat washers and nuts around the frame tubes and through the mount. Tighten all nuts and bolts securely.
5. Install the roller fairlead to the winch mount using (2) 5/16" x 3/4" bolts and 5/16" nylock nuts provided. (Rollers should turn freely. **NOTE:** Bottom roller may need to be removed to run wire rope through.)
6. Using the instructions provided with the winch, wire accordingly.
7. Reinstall the two bolts from the mud shield.
8. Reinstall the plastic lower front cover. **NOTE:** For some winches, this cover may need to be trimmed so it does not rub.



FOR QUESTIONS OR COMMENTS PLEASE CALL THE MANUFACTURER: **763-689-4800**

All images used are copyrighted property of CMP and may not be used without permission.

Inst1534M 05/24/06