



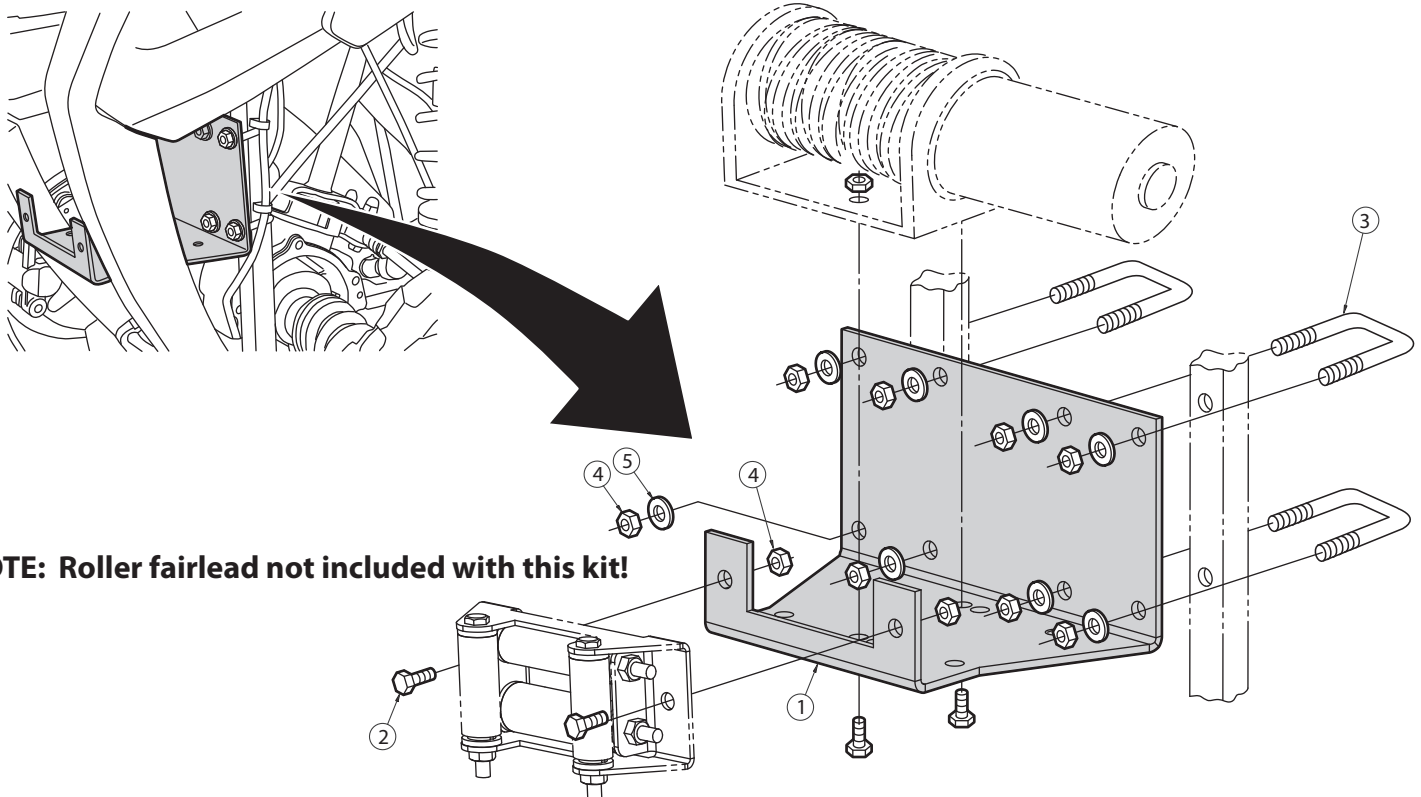
Item	Qty.	Part#	Description
1	1	1603-1	Winch Mount Plate
2	2	HDW2050	5/16" x 3/4" Hex Head Bolts
3	4	HDW2137	1/4" x 1-1/8" x 1-3/4" U-Bolts
4	2	HDW7058	5/16" Nylock Nuts
5	8	HDW9012	1/4" Flat Washers
6	8	HDW7050	1/4" Nylock Nuts

## Winch Mount Kit

### Polaris '08-09 300/400 Sportsman

Part Number: 1603M (4505-0395)

1. Remove the front bumper and headlight assembly as a unit. Remove the steel radiator guard (Where applicable). Retain all hardware.
2. Position the Winch Mount Plate (1) as illustrated in front of the main frame tubes.
3. Attach the Winch Mount Plate (1) using four 1/4" x 1-1/8" x 1-3/4" U-Bolts (4), eight 1/4" Flat Washer (6), and eight 1/4" Nylock Nuts (7) as illustrated.
4. Attach your Roller Fairlead (2) using two 5/16" x 3/4" Hex Head Bolts (3) and two 5/16" Nylock Nuts (5).  
Note: If using an aluminum hawse instead of a roller fairlead you may need different hardware, check the hardware bag that came with your winch.
5. Attach the winch to the winch mount plate using the hardware provided with the winch. Make sure to orientate the winch so the cable pulls off the bottom of the drum.
6. Reinstall the front bumper and headlight assembly with the stock hardware.



**NOTE: Roller fairlead not included with this kit!**

FOR QUESTIONS OR COMMENTS PLEASE CALL THE MANUFACTURER: **763-689-4800**

All images used are copyrighted property of CMP and may not be used without permission. Inst1603M 01/09/08