



Qty.	Part #	Description
1	FG899	Winch Mount
1	FG900	Roller Fairlead Mount Plate
4	FG901	Winch Mount Side Plates
6	HDW2001	1/4" x 1-1/2" Hex Bolts
2	HDW2050	5/16" x 3/4" Hex Bolts
6	HDW7050	1/4" Nylock Nuts
2	HDW7058	5/16" Nylock Nuts
6	HDW9012	1/4" Flat Washers

NOTE: Roller fairlead not included with this kit!

Winch Mount Installation Instructions

for Polaris '98-'99 500 Big Boss, '95-'98 425 Magnum 2x4 & 4x4, '95-'96 425 Magnum 6x6, '95-'98 400L Big Boss, '94-'97 400L Sportsman, '94 400L 2x4 & 4x4, '91-'93 300L 2x4 & 4x4
Part Number: 1591M (4505-0390)

INSTRUCTIONS:

1. Remove the three front radiator side shroud retainer buttons on each side of the bumper. Install the winch mount on the front bumper per illustration "A".
2. Take (2) winch mount side plates (per side), and slide them behind the side of the winch mount per illustration "B". Install the 1/4" bolts, flat washers and Nylock nuts.
3. Install the roller fairlead to the roller fairlead mount plate, using (2) 5/16" x 3/4" hex bolts and 5/16" Nylock nuts provided and place on top of the winch mount (rollers should turn freely). **Note:** Bottom roller may need to be removed to run wire rope through.
4. Install the winch using the hardware provided with the winch.
5. Using the instructions provided with the winch, wire accordingly.

ILLUSTRATION "A"

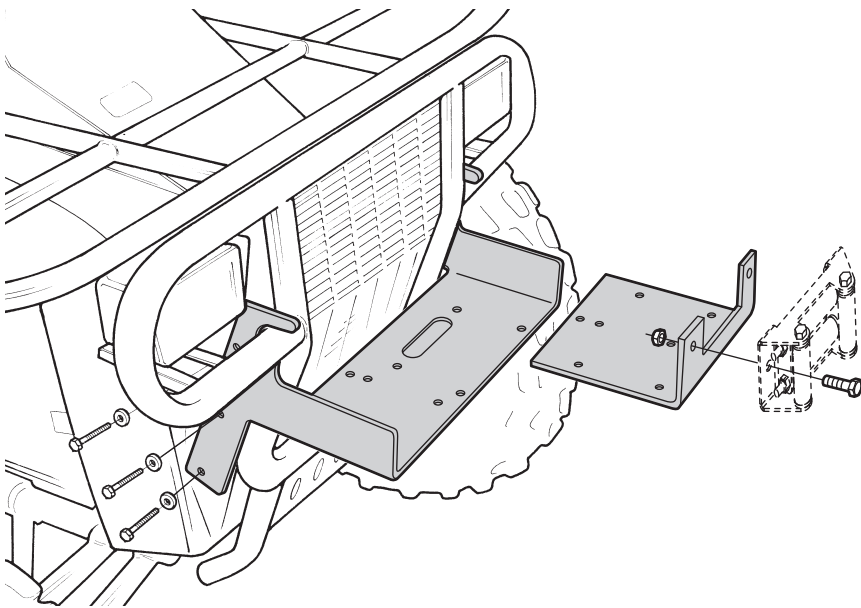
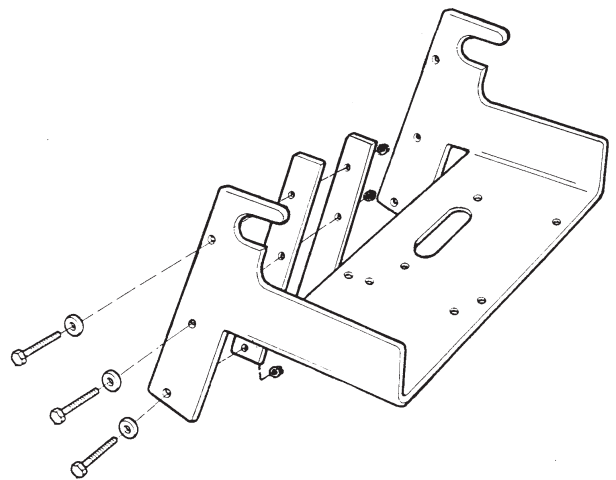


ILLUSTRATION "B"



FOR QUESTIONS OR COMMENTS PLEASE CALL THE MANUFACTURER: **763-689-4800**

All images used are copyrighted property of CMP and may not be used without permission.

Inst1591M 05/11/05