



Qty.	Part#	Description
1	FG879	Winch Mount
2	KD23P	1" U-Clamps
2	FG1064	Spacers
2	FG1834	7/8" U-Clamps
1	FG880	Angle Support Bracket
2	HDW1050	8mm x 20mm Hex Bolts
2	HDW2105	3/8" x 2" Hex Bolts
2	HDW2108	3/8" x 3" Hex Bolts
4	HDW7061	3/8" Nylock Nuts
2	HDW9002	5/16" Flat Washers
4	HDW2050	5/16 x 3/4" Hex Bolts
2	HDW7058	5/16" Nylock Nuts
2	HDW7056	5/16" Flanged Nuts

Winch Mount Installation Instructions

HONDA

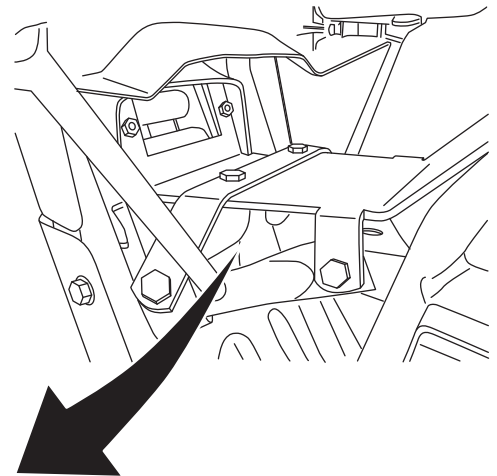
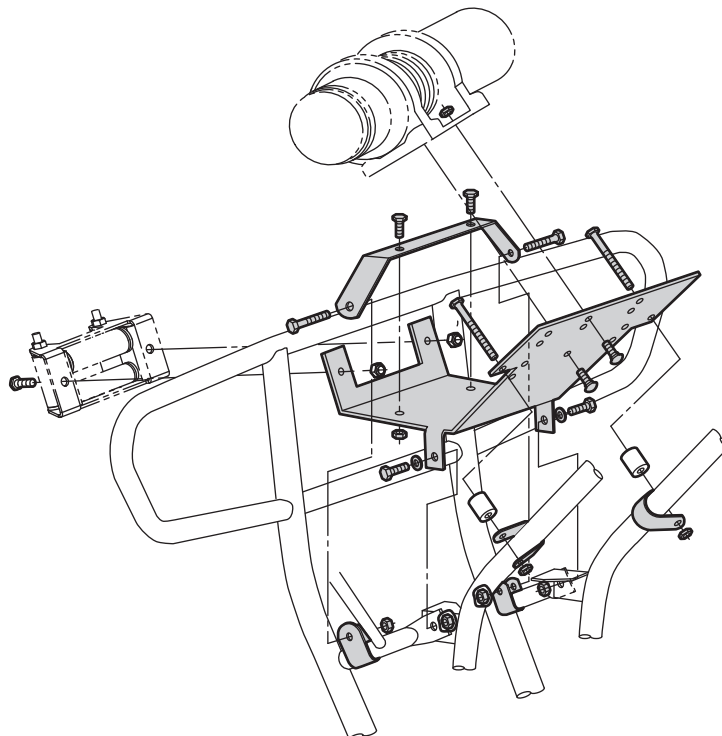
'00-'06 TRX 350 Rancher S/ES 2x4 & 4x4, '04-'07 TRX 400 Rancher ES/AT 4x4

Part Number: 1587M (4505-0387)

INSTRUCTIONS:

1. Remove the middle two 8mm hex bolts that mount the front bumper to the main frame and discard.
2. Install the winch to the mount using the hardware provided with the winch and slide the complete unit under the front fender between the bumper tubes. The winch and the mount should be positioned so the middle mount tabs of the winch mount line up with the two holes that you removed the bolts from. Install the (2) provided 8mm x 20mm hex bolts and 5/16" flat washers provided. Do not tighten.
3. Install the (2) 1" u-clamps that mount the top of the winch mount around the frame tubes from the inside per the illustration. Install the provided 3/8" x 3" hex bolts through the winch mount and then through the spacers and the U-Clamps and install the 3/8" nylock nuts.
4. Install the angled support bracket so it fits across the top of the winch mount ahead of where you installed the 8mm x 20mm bolts and so the arms angle forward. Install the (2) provided 5/16" hex bolts and flanged nuts.
5. Install the (2) 7/8" u-clamps around the middle bumper support tubes upwards so they line up with the holes in the end of the angle support bracket. Install the (2) 3/8" x 2" hex bolts through the clamps and bracket and install the 3/8" nylock nuts. Tighten all bolts.
6. Install the roller fairlead to front of the mount using (2) 5/16" x 3/4" hex bolts and 5/16" Nylock nuts provided. (Rollers should turn freely).
Note: Bottom roller may need to be removed to run wire rope through.
7. Using the instructions provided with the winch, wire accordingly.

NOTE: Roller fairlead not included with this kit!



FOR QUESTIONS OR COMMENTS PLEASE CALL THE MANUFACTURER: **763-689-4800**

All images used are copyrighted property of CMP and may not be used without permission.

Inst1587M 04/09/07