

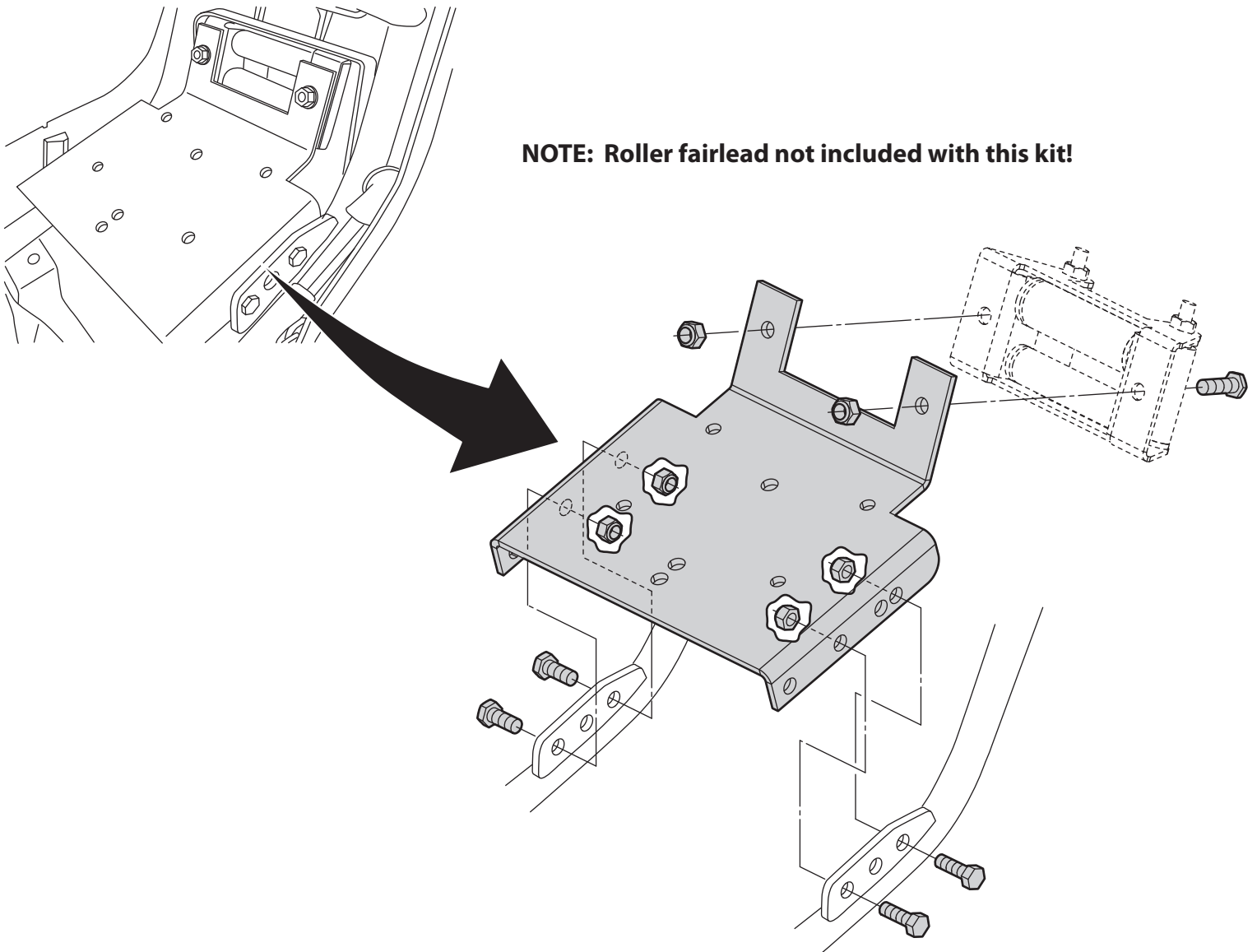


Qty.	Part#	Description
1	1581-1	Winch Mount
6	HDW7058	5/16" Nylock Nuts
6	HDW2050	5/16" x 3/4" Hex Bolts

Winch Mount Installation Instructions SUZUKI

'02-'07 500 Quadrunner Vinson, '02-'03 400 Quadrunner Eiger-A, '02-'07 400 Quadrunner Eiger
Part Number: 1581M (4505-0386)

1. Position the winch mount behind the front bumper, on the inside of the frame tabs, and align the holes in the winch mount with the holes in the frame. Install the (4) provided 5/16" bolts through the frame tabs, then the winch mount and install the four provided Nylock nuts.
2. Install the winch to the mount using the hardware provided with the winch.
3. Install the roller fairlead using (2) 5/16" x 3/4" hex bolts and 5/16" Nylock nuts provided (rollers should turn freely).
Note: Bottom roller may need to be removed to run wire rope through.
4. Using the instructions provided with the winch, wire accordingly.



FOR QUESTIONS OR COMMENTS PLEASE CALL THE MANUFACTURER: **763-689-4800**

All images used are copyrighted property of CMP and may not be used without permission.

Inst1581M 08/17/07