



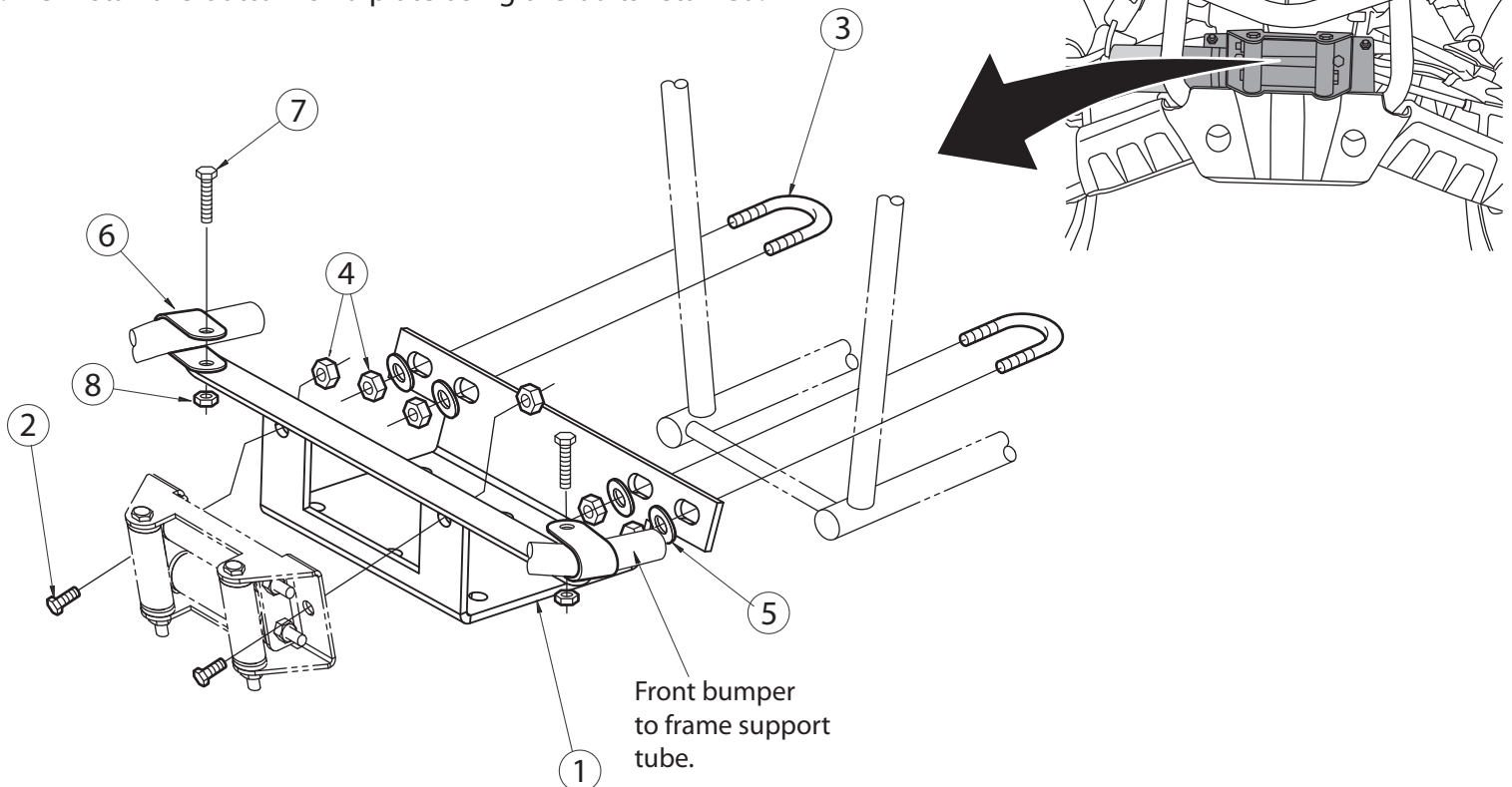
YAMAHA

**'06-'09 350/450 Wolverine
Winch Mount Kit**

Item	Qty.	Part#	Description
1	1	1570-1	Winch Mount Plate
2	2	HDW2050	5/16" x 3/4" Hex Head Bolts
3	2	HDW2150	5/16" x 1-1/8" x 1-3/4" U-Bolts
4	6	HDW7058	5/16" Nylock Nuts
5	4	HDW9002	5/16" Flat Washers
6	2	KD20P	3/4" U-Clamps
7	2	HDW2004	1/4" x 1-3/4" Hex Bolts
8	2	HDW7050	1/4" Nylock Nuts

**NOTE: Roller fairlead not included with this kit!
PN: 1570M (4505-0383)**

1. Remove the two front skid plate bolts and retain. Remove the four bolts that attach the bumper and remove the bumper.
2. Attach the back of the Winch Mount Plate (1) to the ATV frame as illustrated using the 5/16" x 1-3/4" U-Bolts (3), four 5/16" Flat Washers (5), and four 5/16" Nylock Nuts (4).
(NOTE: Do Not tighten the U-bolts until the winch is installed to the winch mount plate.)
3. Reinstall the bumper making sure the front of the mount plate is below the two horizontal bumper supports. Slide a 3/4" u-clamp over each horizontal frame rail then secure to the front of the winch plate using a 1/4" x 1 3/4" hex bolt (7) and 1/4" nylock nut (8). See Illustration.
3. Install the roller fairlead (Not Included) using two 5/16" x 3/4" Hex Head Bolts (2), and two 5/16" Nylock Nuts (4).
4. Install the winch to the winch mount plate using the hardware provided with the winch. Position the winch mount plate just above the bottom skid plate as illustrated and tighten the U-bolts. Orientate the winch so the cable pulls from the bottom of the drum and bolt in place.
5. Re-install the bottom skid plate using the bolts retained.



FOR QUESTIONS OR COMMENTS PLEASE CALL THE MANUFACTURER: 763-689-4800