



Qty.	Part #	Description
1	FG2719	Winch Mount
4	KD20P	3/4" U-Clamps
4	HDW2004	1/4" X 1-3/4" Hex Bolts
4	HDW7050	1/4" Nylock Nuts
2	HDW2050	5/16" X 3/4" Hex Bolts
2	HDW7058	5/16" Nylock Nuts

Winch Mount Installation Instructions

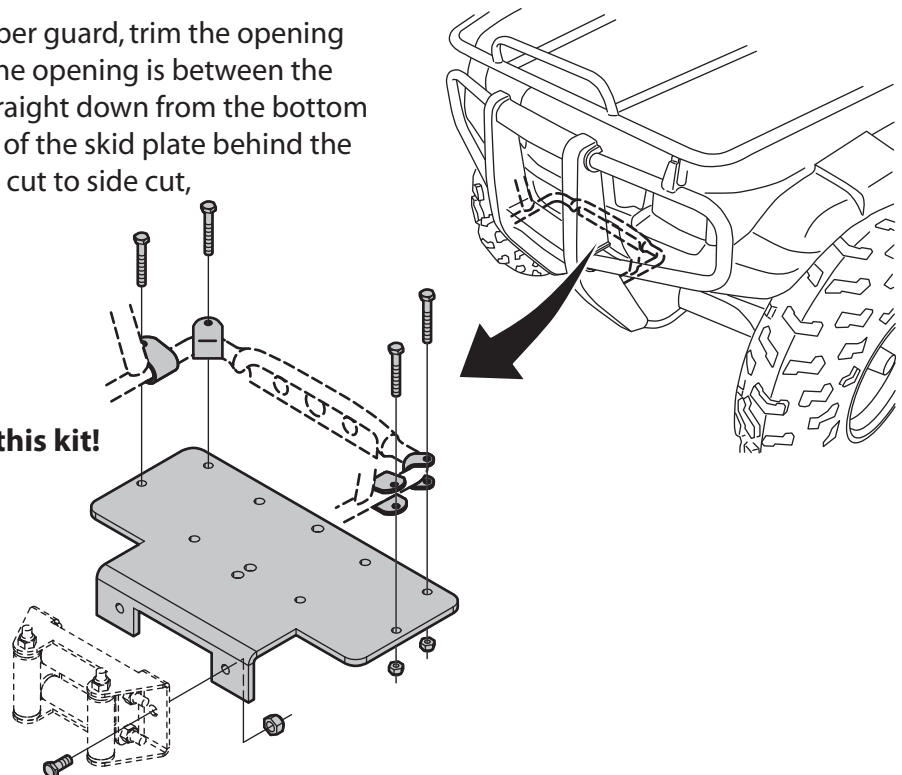
for 01-04 Honda TRX 500 Rubicon

Part Number: 1559M (4505-0380)

INSTRUCTIONS:

1. Temporarily remove the plastic front bumper guard.
2. Position the winch mount behind the front bumper and align with the rear arms of the bumper per the illustration.
3. Install the (4) u-clamps from the inside out on the bumper arms and install the winch mount to the underside of the u-clamps and bumper arm using the (4) provided 1/4" bolts and Nylock nuts. Tighten evenly.
4. Using the hardware provided with the winch install the winch to the bottom of the winch mount making sure the winch still rotates in the right direction when pulling.
5. Install the roller fairlead to the front of the mount using (2) 5/16" x 3/4" bolts and 5/16" Nylock nuts provided (rollers should turn freely). **Note:** Bottom roller may need to be removed to run wire rope through. Tighten all bolts securely.
6. Using the instructions provided with the winch, wire accordingly.
7. Before reattaching the plastic front bumper guard, trim the opening where the roller fairlead goes through. The opening is between the (4) mounting bolts of the guard. Trim straight down from the bottom edge of the opening 3-1/2" or to the top of the skid plate behind the guard and then straight across from side cut to side cut, removing this piece.
8. Reinstall the plastic front bumper guard and bolts. Tighten all bolts evenly.

NOTE: Roller fairlead not included with this kit!



FOR QUESTIONS OR COMMENTS PLEASE CALL THE MANUFACTURER: **763-689-4800**

All images used are copyrighted property of CMP and may not be used without permission.

Inst1559M 05/23/05