



Qty.	Part#	Description
1	1545-1	Winch Mount Plate
2	HDW2050	5/16" x 3/4" Hex Head Bolts
4	HDW2150	5/16" x 1-1/8" x 1-3/4" U-Bolts
10	HDW7058	5/16" Nylock Nuts
8	HDW9003	5/16" Flat Washers

**NOTE: Roller fairlead not included with this kit!**

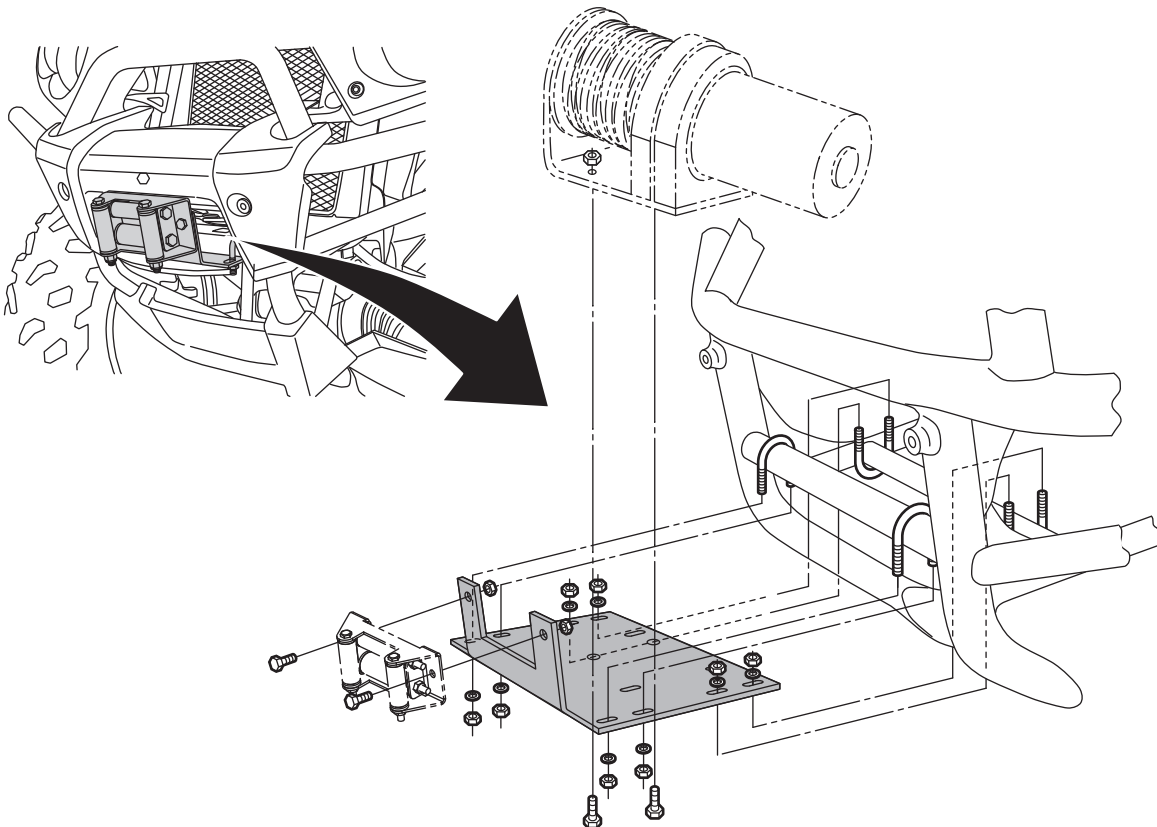
## 07-08 Kawasaki 650 Brute Force 4x4 (IRS)

### Winch Mounting Instructions

Part Number: 1545M (4505-0373)

#### INSTRUCTIONS:

1. Remove the upper plastic bumper guard and retain.
2. Remove the top (2) bolts on the lower plastic skid plate and retain.
3. Remove front bumper and retain all hardware.
4. Attach winch mount to bumper per illustration using the (4) 5/16 x 1-1/8 x 1-3/4 u-bolts.  
NOTE: Slide to the forward position for the winches bolted to the back of the mount and slide back for the winches bolted flat for bolt clearance.
5. Attach roller fairlead per illustration using the (2) 5/16 x 3/4 hex bolts and wiz nuts place large roller to the bottom.
6. Re-Attach bumper to ATV using the hardware retained.
7. Re-Attach lower plastic skid plate and upper plastic bumper guard.
8. Wire winch per winch manufacturers instructions.



FOR QUESTIONS OR COMMENTS PLEASE CALL THE MANUFACTURER: **763-689-4800**

All images used are copyrighted property of CMP and may not be used without permission.

Inst1545M 01/31/07