



Qty.	Part #	Description
1	FG3111	Winch Mount
1	FG3112	Winch Mount Channel
2	HDW2050	5/16" X 3/4" Hex Bolts
4	HDW2051	5/16" X 1" Hex Bolts
6	HDW9002	5/16" Flat Washers
4	HDW7058	5/16" Nylock Nuts
4	HDW7056	5/16" Flanged Nuts
2	HDW2061	5/16" X 1-1/4" Hex Bolts

NOTE: Roller fairlead not included with this kit!

Winch Mount Installation Instructions

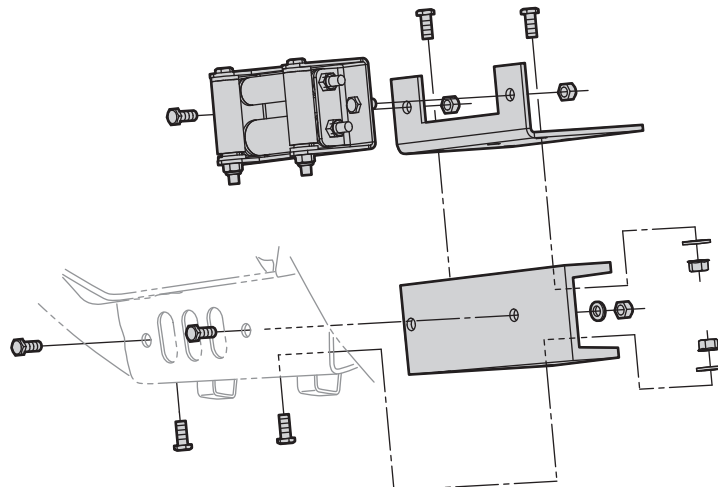
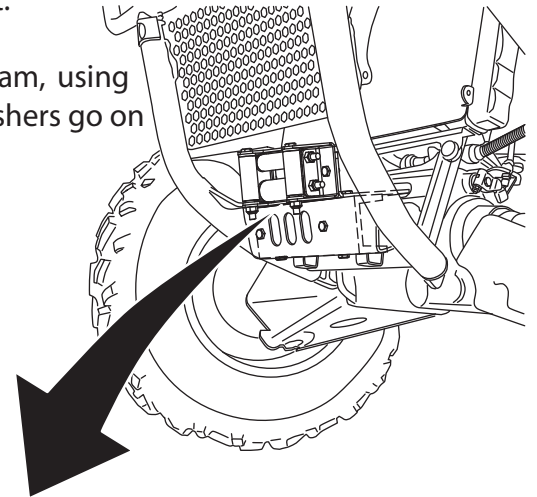
for '04-'06 Kawasaki KVF 700 Prairie 4x4, '02-'03 KVF 650 Prairie 4x4,

'04-'05 Suzuki 700 Twin Peaks

Part Number: 1539M (4505-0369)

INSTRUCTIONS:

1. Install the winch to the winch mount and the winch mount channel using (2) 5/16" x 1-1/4" bolts, flat washers and Nylock nuts. **Note:** When mounting the winch to the mount, the motor will be on your left as you sit on the ATV, except the 3000# Superwinch, which will be on the right. As you face the ATV, the left 1-1/4" bolt goes through the winch mount and channel only. The right 1-1/4" bolt goes through the front mounting hole in the winch base, then the winch mount, then the channel. Use one of the mounting bolts provided with the winch to go through the rear hole in the winch base and the winch mount.
2. Install the winch and mount behind the front bumper per the diagram, using (4) 5/16" x 1" bolts, 5/16" flat washers, and flanged nuts. The flat washers go on the hex bolts first, then through the frame.
3. The plastic side shield may need to be trimmed for clearance.
4. Install the roller fairlead to the winch mount using (2) 5/16" x 3/4" hex bolts and 5/16" Nylock nuts provided (rollers should turn freely). **Note:** Bottom roller may need to be removed to run wire rope through.
5. Using the instructions provided with the winch, wire accordingly.



FOR QUESTIONS OR COMMENTS PLEASE CALL THE MANUFACTURER: **763-689-4800**

All images used are copyrighted property of CMP and may not be used without permission.

Inst1539M 05/24/06