



Item	Qty.	Part#	Description
1	1	1536-1	Winch Mount Plate
2	2	HDW2154	5/16" 1-1/4" x 2" U-Bolts
3	2	HDW2150	5/16" 1-3/8" x 2-3/16" U-Bolts
4	8	HDW7058	5/16" Nylock Nuts
5	8	HDW9002	5/16" Flat Washers

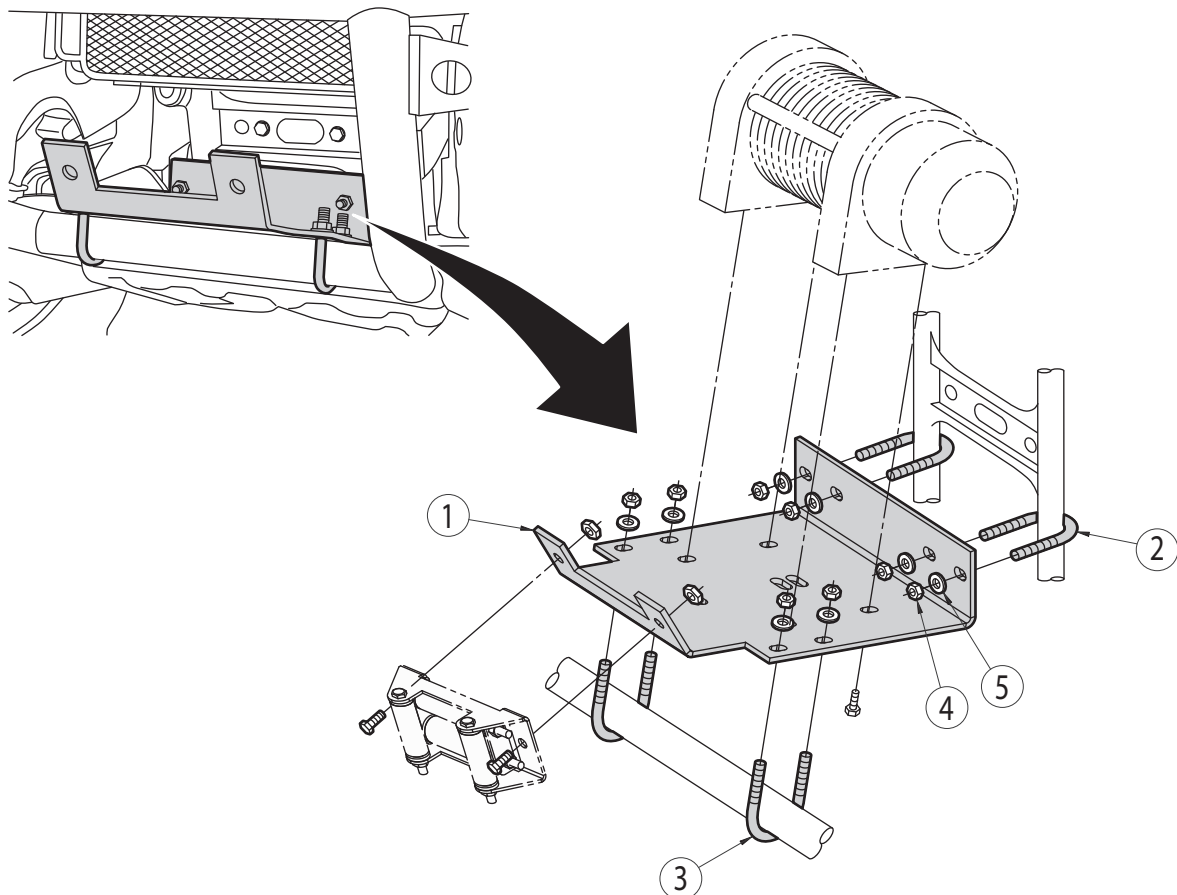
NOTE: Roller fairlead not included with this kit!

Winch Mount Kawasaki

'06-09 650 Brute Force (STRAIGHT AXLE)

PN: 1536M (4505-0368)

1. Remove the upper plastic bumper guard and retain.
2. Remove the top two bolts on the lower plastic skid plate and retain.
3. Attach the Winch Mount Plate (1) to the bumper as illustrated using the two 5/16" x 1-3/8" x 2-3/16" U-bolts (3), four 5/16" Flat Washers (5) and four 5/16" Nylock Nuts (4).
4. Attach the 5/16" x 1-1/4" x 2" U-bolts (2), four 5/16" Washers (5) and four 5/16" Nylock Nuts (4) onto the inside frame as illustrated. Attach winch per illustration.
5. Attach the Roller Fairlead using the two 5/16" x 3/4" Hex Head Bolts and two 5/16" Nylock Nuts.
6. Reattach the bumper and skid plate using the hardware retained.



FOR QUESTIONS OR COMMENTS PLEASE CALL THE MANUFACTURER: **763-689-4800**

All images used are copyrighted property of CMP and may not be used without permission.

Inst1536M 09/25/06