



Qty.	Part #	Description
1	1521-1	Winch mount
2	HDW2050	5/16"-18 x 3/4" Hex Head Bolts
2	HDW2100	3/8"-16 x 1" Hex Head Bolts
2	HDW7058	5/16"-18 Nylock Nuts
2	HDW7061	3/8"-16 Nylock Nuts

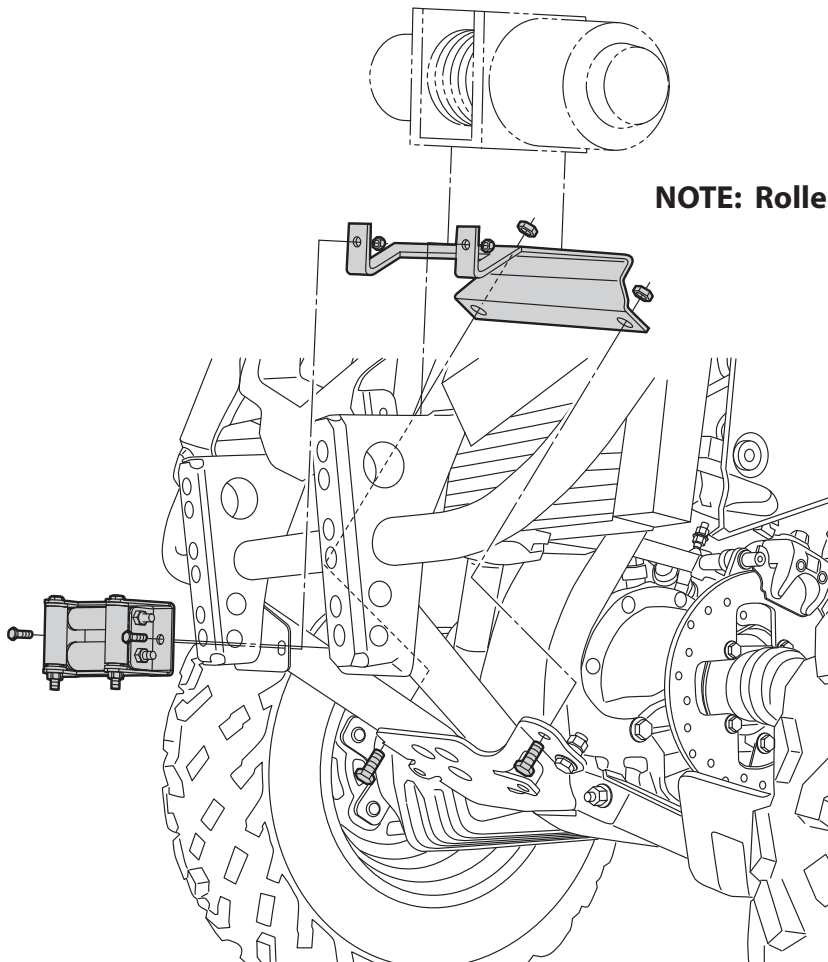
Winch Mount Can-Am/Bombardier

'03-'09 400 Outlander (& Max), '04-05 330 Outlander

Part Number: 1521M (4505-0361)

INSTRUCTIONS:

1. Remove front plastic bumper wrap. Retain 6mm bolts removed and discard 10mm bolts.
2. Put winch mount in place per illustration. Orientate the winch so the cable pulls from the bottom of the drum.
3. Install (2) 5/16" x 3/4" bolts and 5/16" Nylock nuts to attach winch mount plate to frame.
4. Now install winch to the plate with the hardware supplied with the winch (not in this mount kit).
5. Replace front plastic bumper wrap using bolts retained.
6. Attach roller fairlead to front of the mount using (2) 3/8" x 1" hex head bolts and 3/8" Nylock nuts. (Rollers should turn freely.)
Note: Bottom roller may need to be removed to run wire rope through.
7. Using instructions provided with the winch, wire accordingly.



NOTE: Roller fairlead not included with this kit!

FOR QUESTIONS OR COMMENTS PLEASE CALL THE MANUFACTURER: **763-689-4800**