

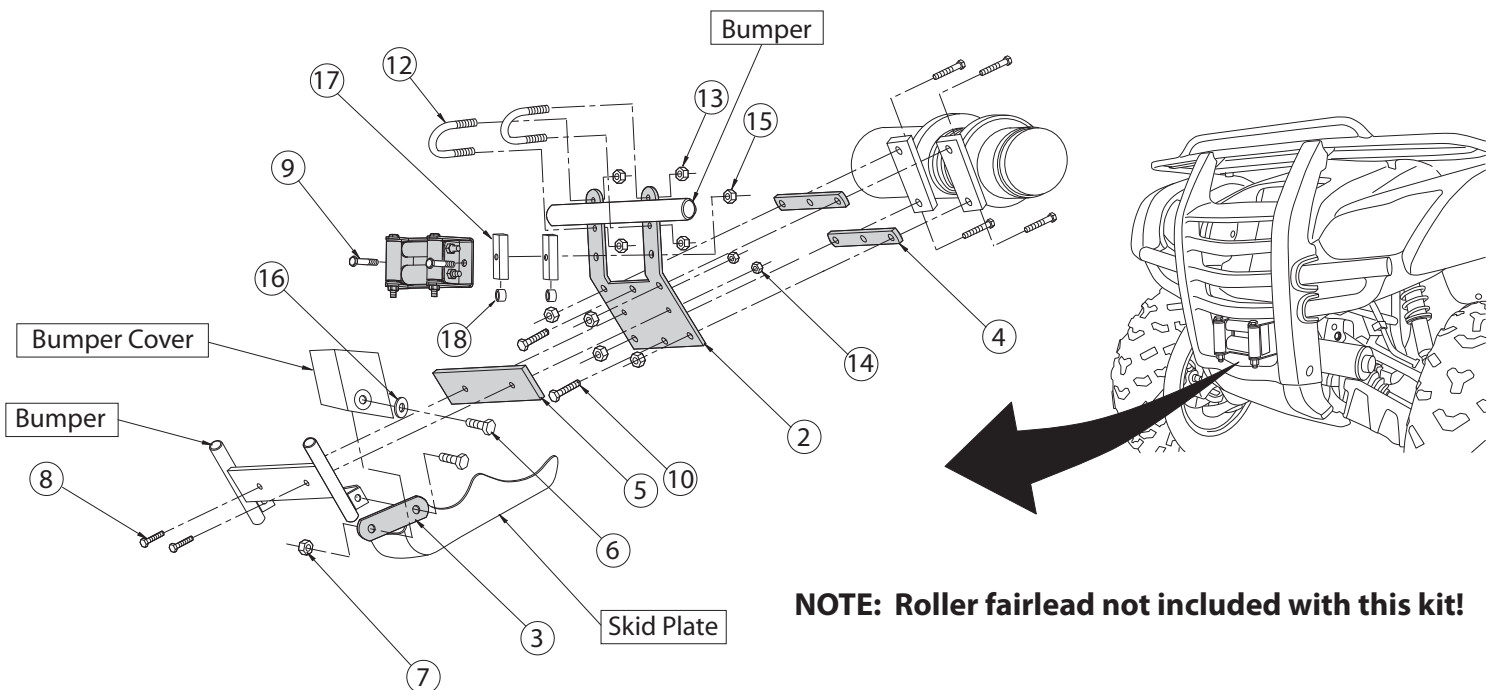


Winch Mount HONDA

'07-10 420 Rancher (All)
PN: 1518M (4505-0360)

Item	Qty.	Part#	Description
2	1	1518-1	Main Plate
3	2	1518-3	3/4" Bumper Spacers
4	2	1518-2	Top Plate Spacers
5	1	1518-4	Bottom Plate Spacer
6	2	HDW1083	6mm x 16mm Hex Head Bolts
7	2	HDW1120	6mm Nylock Nuts
8	2	HDW2000	1/4" x 3/4" Hex Head Bolts
9	2	HDW2052	5/16" x 1-3/4" Hex Head Bolts
10	2	HDW2051	5/16" x 1" Hex Head Bolts
11	4	HDW2061	5/16" x 1-1/4" Hex Head Bolts
12	2	HDW2135	1/4" x 1-1/8" x 2" U-Bolts
13	4	HDW7050	1/4" Nylock Nuts
14	2	HDW7051	1/4" Whiz Nuts
15	8	HDW7058	5/16" Nylock Nuts
16	2	HDW9012	1/4" Washers
17	2	1518-5	Roller Fairlead Spacer
18	2	FG1060	5/8" x 3/4" Spacer

1. Remove the bumper cover, set aside and retain all hardware. Remove the bolts that attach the lower part of the bumper to the frame and retain hardware. Partially separate the bumper from the frame for easier installation.
2. Attach the Bottom Plate Spacer (5) and the Main Plate (1) to the ATV bumper per illustration using two 1/4" x 3/4" Hex Head Bolts (8), and two 1/4" Whiz Nuts (14).
3. Attach the two 1/4" x 1-1/8" x 2" U-Bolts (12) to the ATV bumper and Main Plate (1) per illustration using four 1/4" Nylock Nuts (13).
4. Attach the winch to the Top Plate Spacers (4) and the Main Plate (1) using the hardware provided with the winch. For two bolt hole pattern winch installation, use the two 5/16" x 1" Hex Head Bolts (10), the middle holes on the Main Plate (1) and two Top Plate Spacers (4). Orientate your winch so the cable spools off the top of the winch drum.
5. Reattach the bumper to the ATV frame using the bolts retained. Attach the 3/4" Bumper Spacers (3) to the skid plate and bumper using the bolts retained per illustration.
6. Install your Roller Fairlead (1) using two 5/16" x 1-3/4" Hex Head Bolts (9), and 5/16" Nylock Nuts (15) through the square steel fairlead spacers (17), round spacers (18) and into the main winch mount plate. The round 3/4" spacers (18) fit inside the square fairlead spacers and the bolt runs through them to keep them from collapsing. If using an aluminum hawse you may need different mounting hardware, check the hardware that came with your winch.
7. Reattach the upper half of the bumper cover using the hardware retained. Attach the lower half of the bumper cover to the 3/4" Bumper Spacers (3) using the 6mm x 16mm Hex Head Bolts (6), two 1/4" Washers (16), and 6mm Nylock Nuts (7) as illustrated.



For questions regarding the installation of this mount please call: 763-689-4800