



Qty.	Part#	Description
1	1512-1	Winch Mount
6	HDW2050	5/16" x 3/4" Hex Bolts
6	HDW7058	5/16" Nylock Nuts
2	HDW1050	8mm x 20mm Hex Bolts
1	HDW9002	5/16" Flat Washer

**NOTE: Roller fairlead not included with this kit!**

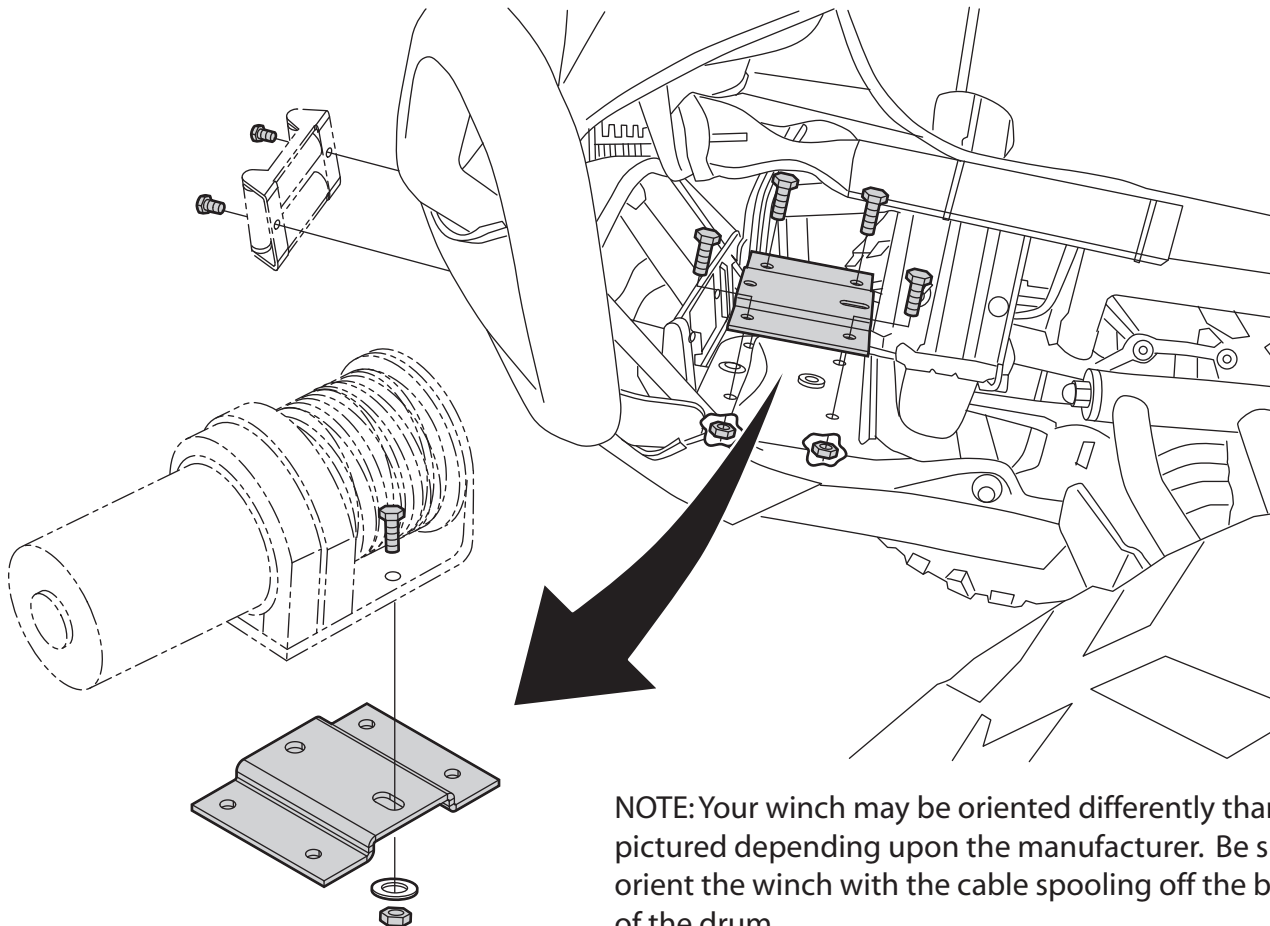
## Winch Mount Installation Instructions

Arctic Cat '08 Thundercat 1000, '07-'09 700 Auto, 05-08 650 4x4 (All including V2, H1, TBX)  
06-09 500 4x4 (All including TBX/TRV), 06-09 400 4x4 (All including TBX/TRV)

**Part Number: 1512M (4505-0356)**

### INSTRUCTIONS:

1. Position winch on the mount so the cable pulls from the bottom of the drum and secure with (2) 5/16" x 3/4" bolts and 5/16" nylock nuts. Be sure to use the 5/16" washer under the slotted hole.
2. Place winch and mount inside of bumper per illustration. Bolt down using (4) 5/16" x 3/4" hex bolts and (4) 5/16" nylock nuts.
3. Install your roller fairlead (not included) using (2) 8mm x 20mm hex bolts (rollers should turn freely).  
**NOTE:** Bottom roller may need to be removed to run wire rope through.
4. Using the instructions provided with the winch, wire accordingly.



FOR QUESTIONS OR COMMENTS PLEASE CALL THE MANUFACTURER: **763-689-4800**