

Front Bumper Mounting Instructions

2007-09 Honda Rancher 420

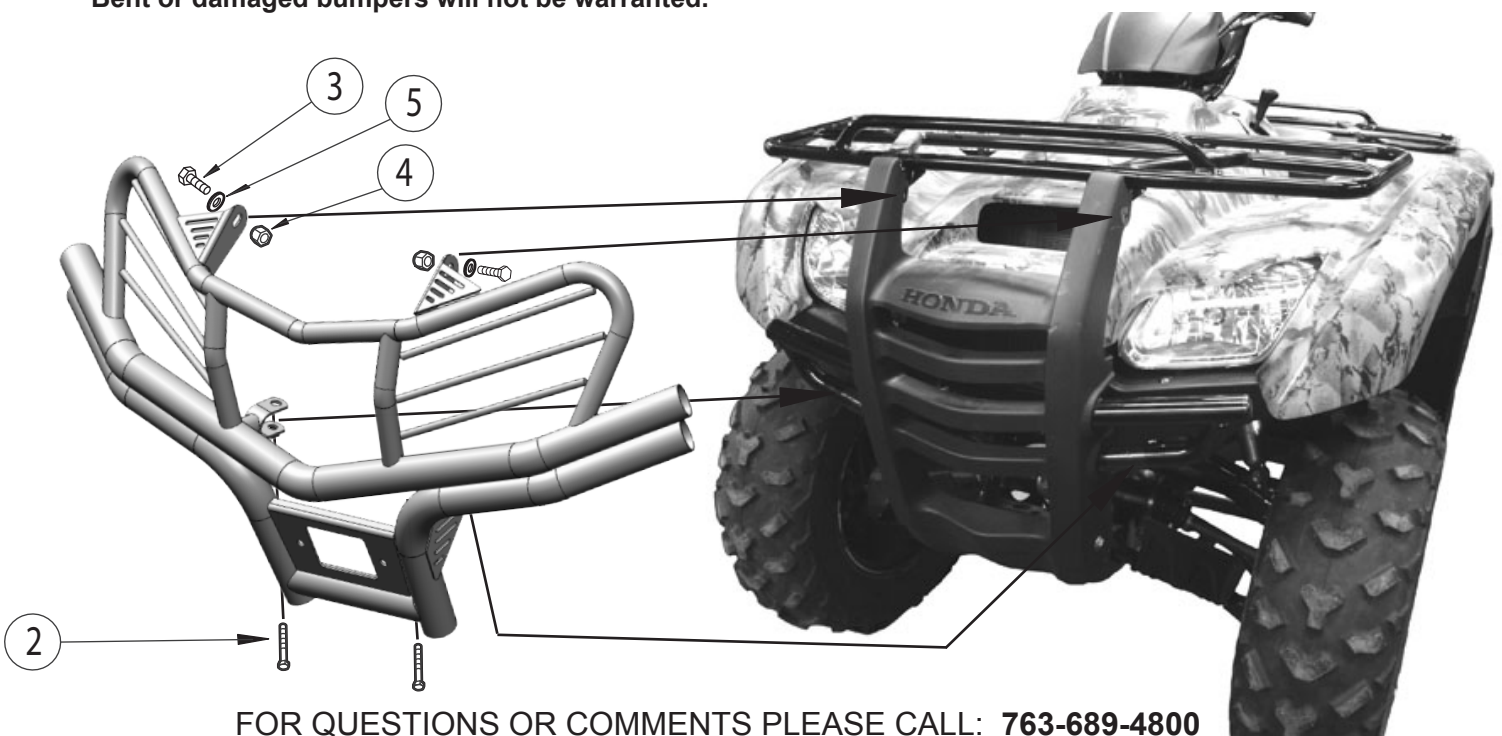
Part Number: 2907 (0530-1009)

| Ref. | Qty. | Part# | Description |
|------|------|---------|-----------------------|
| 1 | 1 | 2907 | Front Bumper |
| 2 | 2 | HDW9088 | 10mm x 50mm Hex Bolts |
| 3 | 2 | HDW2051 | 5/16" x 1" Hex Bolts |
| 4 | 2 | HDW7058 | 5/16" Nylock Nuts |
| 5 | 2 | HDW9002 | 5/16" Flat Washer |
| 6 | 6 | HDW9064 | 1 5/8" Endcaps |

INSTRUCTIONS:

1. If you have a winch already installed on your machine you will need to remove the hook from your cable then remove your roller fairlead and re-mount it on the front of the brushguard. Use your original bolts and hardware.
2. Leave the front black plastic bumper cover in place on the machine but remove the two upper bolts on each side up by the rack mount. See Illustration
3. The top two mounts of the brushguard will slide in place on the outside of the black plastic bumper cover bolt holes. Loosely bolt in place using two 5/16" x 1" hex bolts (#3), 5/16" flat washers (#5), and 5/16" nylock nuts (#4). In some instances you may need to loosen the front rack to help line up the holes
4. Slide the u-clamp mounts of the brushguard over the lower stock bumper frame tube running horizontally just above the winch area.
5. Loosely bolt the u-clamps in place from the bottom with two 10mm x 50mm hex bolts (#2), be careful not to overtighten or it will be difficult to remove the brushguard.
6. Make sure the bumper is aligned properly with the front of the machine and tighten all nuts and bolts.
7. Using a rubber mallet, lightly tap the endcaps into place on the brushguard. Pull your winch cable through the roller fairlead and reattach the hook.

NOTE: This bumper is designed to be used as a brushguard only and should not be used to push heavy objects. Bent or damaged bumpers will not be warranted.



FOR QUESTIONS OR COMMENTS PLEASE CALL: **763-689-4800**