

# Front Bumper Mounting Instructions

2005-09 Sportsman 600/700/800 (Will not fit X2 or Touring models)

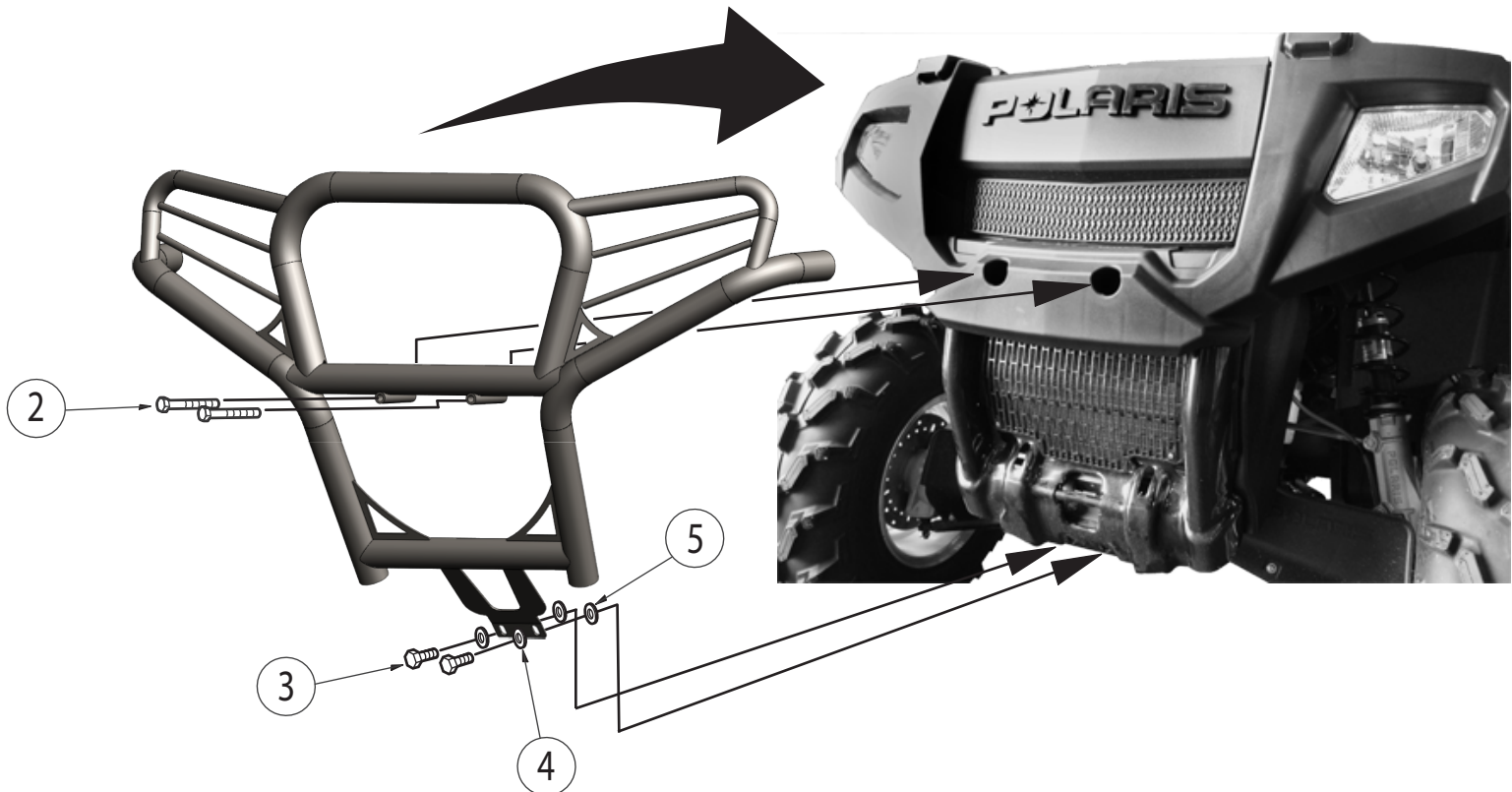
Part Number: 2912 (0530-1006)

Ref.	Qty.	Part#	Description
1	1	2912-1	Front Bumper
2	2	HDW9084	5/16" x 4" Hex Bolts
3	2	HDW2051	5/16" x 1" Hex Bolts
4	2	HDW9002	5/16" Flat Washer
5	2	FG366	1/8" Spacer
6	4	HDW9064	1 5/8" Endcaps

## INSTRUCTIONS:

1. In order to install the brushguard you will need to remove the two center bolts in the front plastic bumper. Also remove the two bolts at the bottom of the steel front pan (see illustration).
2. Hold the brushguard in place with the center mount brackets over the two center holes in the front plastic bumper. Loosely bolt in place with two 5/16" x 4" hex bolts.
3. Slide a spacer between the bottom steel pan and the lower brushguard mount on each side then loosely bolt into place with two 5/16" x 1" hex bolts and 5/16" washers.
4. Make sure the bumper is aligned properly with the front of the machine and tighten all nuts and bolts.
5. Using a rubber mallet, lightly tap the endcaps (#9) into place on the brushguard.

**NOTE: This bumper is designed to be used as a brushguard only and should not be used to push heavy objects. Bent or damaged bumpers will not be warranted.**



FOR QUESTIONS OR COMMENTS PLEASE CALL: **763-689-4800**

All images used are copyrighted property of CMP and may not be used without permission. Inst2912 08/20/2009