



# Front Bumper Mounting Instructions

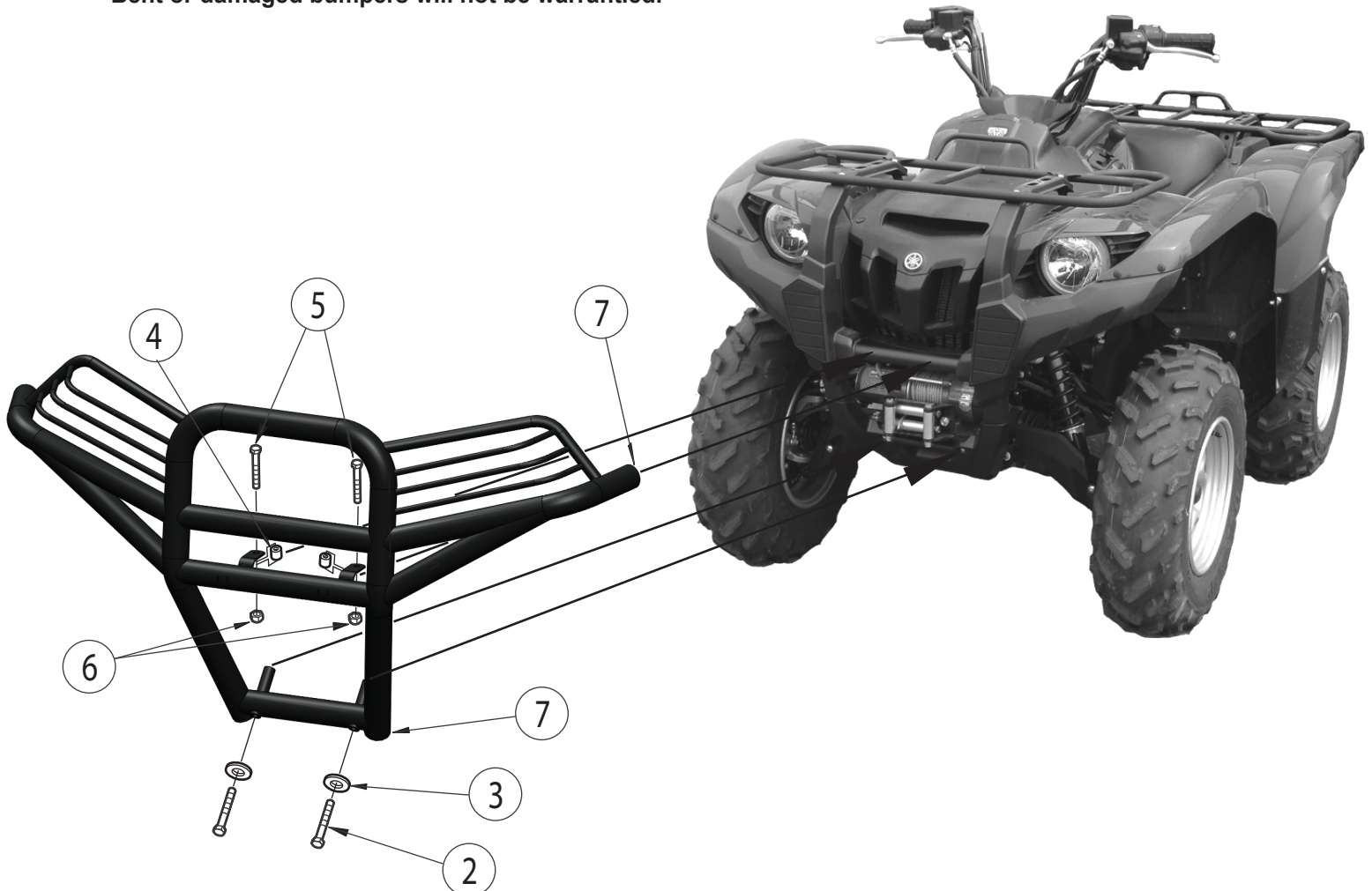
Yamaha Grizzly 550/700 2007-09  
Part Number: 0530-1004

Ref.	Qty.	Part#	Description
1	1	2905	Front Bumper
2	2	HDW9061	6mm x 110mm Hex Bolts
3	2	HDW9012	1/4" Flat Washer
4	2	PC124	Spacers
5	2	HDW2056	5/16" x 2" Hex Bolts
6	2	HDW7058	5/16" Nylock Nuts
7	4	HDW9064	1 5/8" Endcaps

## INSTRUCTIONS:

1. Remove the two upper bolts in the front lower skid pan just below the winch area.
2. Place the u-clamp mounts of the bumper over the frame tube running horizontally just above the winch area.
3. Loosely bolt the u-clamps in place with two 5/16" x 2" hex bolts (#5), spacers (#4), and 5/16" nylock nuts (#6).
4. The lower bumper mount tubes will line up with the bolts that you removed in the front of the lower skidpan. Loosely bolt in place using two 6mm x 110mm bolts (#2) and 1/4" flat washers (#3)
5. Make sure the bumper is aligned properly with the front of the machine and tighten all nuts and bolts.

**NOTE:** This bumper is designed to be used as a brushguard only and should not be used to push heavy objects. Bent or damaged bumpers will not be warranted.



FOR QUESTIONS OR COMMENTS PLEASE CALL: **763-689-4800**

All images used are copyrighted property of CMP and may not be used without permission. Inst2905

11/21/2008