



Front Bumper Mounting Instructions

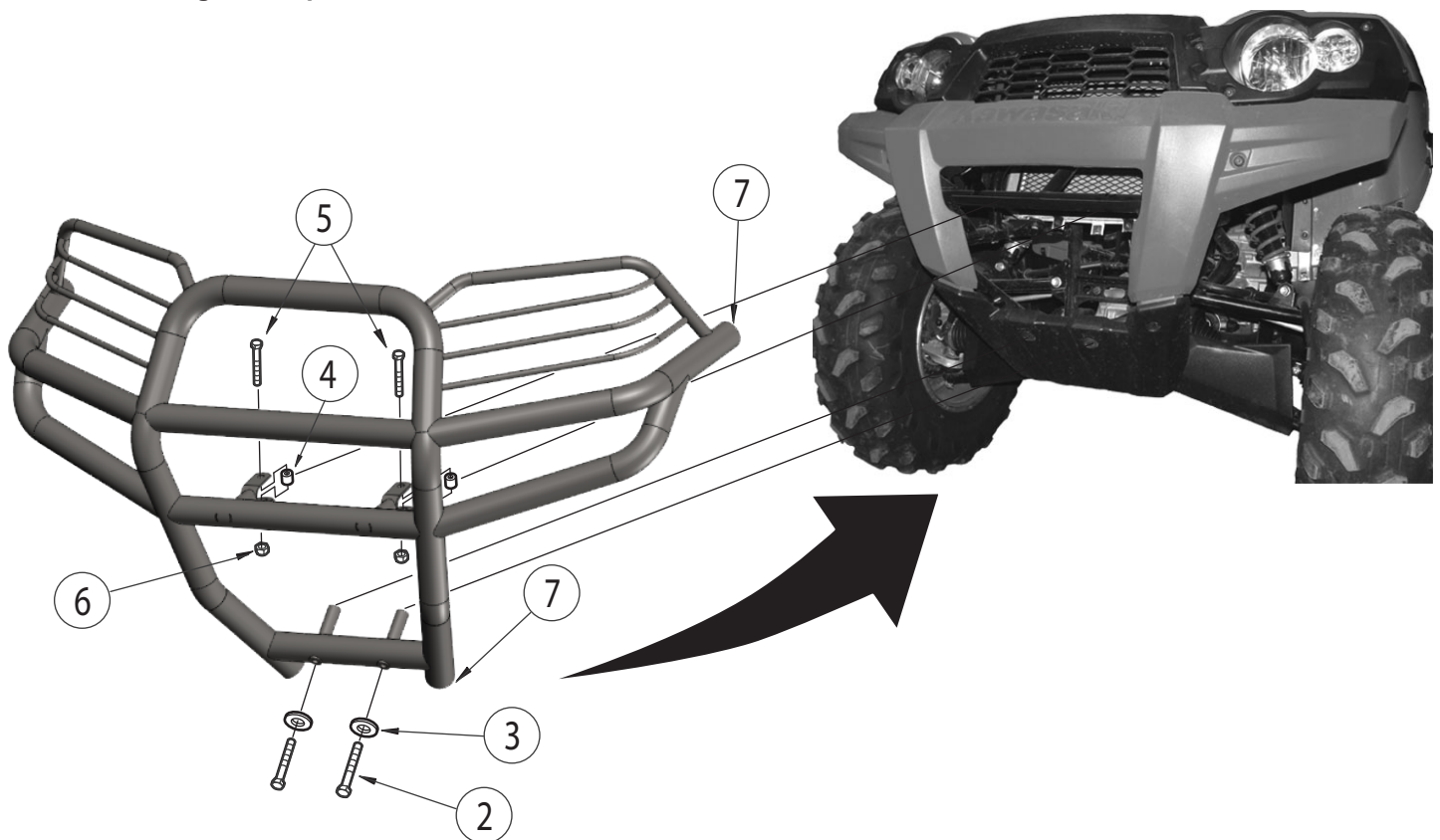
Kawasaki '08-09 750 Brute Force
Part Number: 0530-1002

Ref.	Qty.	Part#	Description
1	1	2901	Front Bumper
2	2	HDW9061	6mm x 110mm Hex Bolts
3	2	HDW9012	1/4" Flat Washer
4	2	PC124	Spacers
5	2	HDW2052	5/16" x 1 3/4" Hex Bolts
6	2	HDW7058	5/16" Nylock Nuts
7	4	HDW9064	1 5/8" Endcaps

INSTRUCTIONS:

1. Remove the two center bolts in the lower skid pan.
2. Place the u-clamp mounts on the bumper over the frame tube running horizontally under the plastic bumper.
3. Loosely bolt the u-clamps in place with two 5/16" x 1 3/4" hex bolts (#5), spacers (#4), and 5/16" nylock nuts (#6).
4. The lower bumper mount tubes will line up with the bolts that you removed in the center of the lower skidpan. Loosely bolt in place using two 6mm x 110mm bolts (#2) and 1/4" flat washers (#3)
5. Make sure the bumper is aligned properly with the front of the machine and tighten all nuts and bolts.
6. Using a rubber mallet, lightly tap the endcaps into place on the brushguard.

NOTE: This bumper is designed to be used as a brushguard only and should not be used to push heavy objects. Bent or damaged bumpers will not be warranted.



FOR QUESTIONS OR COMMENTS PLEASE CALL: 763-689-4800

All images used are copyrighted property of CMP and may not be used without permission. Inst2901

11/13/2008